

ARENA ZOOM Q7IP™

user manual

©2019 ELATION PROFESSIONAL all rights reserved. Information, specifications, diagrams, images, and instructions herein are subject to change without notice. ELATION PROFESSIONAL logo and identifying product names and numbers herein are trademarks of ELATION PROFESSIONAL. Copyright protection claimed includes all forms and matters of copyrightable materials and information now allowed by statutory or judicial law or hereinafter granted. Product names used in this document may be trademarks or registered trademarks of their respective companies and are hereby acknowledged. All non-ELATION brands and product names are trademarks or registered trademarks of their respective companies.

ELATION PROFESSIONAL and all affiliated companies hereby disclaim any and all liabilities for property, equipment, building, and electrical damages, injuries to any persons, and direct or indirect economic loss associated with the use or reliance of any information contained within this document, and/or as a result of the improper, unsafe, insufficient and negligent assembly, installation, rigging, and operation of this product.

Elation Professional USA | 6122 S. Eastern Ave. | Los Angeles, CA. 90040
 323-582-3322 | 323-832-9142 fax | www.elationlighting.com | info@elationlighting.com

Elation Professional B.V. | Junostraat 2 | 6468 EW Kerkrade, The Netherlands
 +31 45 546 85 66 | +31 45 546 85 96 fax | www.elationlighting.eu | info@elationlighting.eu

Elation Professional Mexico | AV Santa Ana 30 | Parque Industrial Lerma, Lerma, Mexico 52000
 +52 (728) 282-7070

DOCUMENT VERSION



Due to additional product features and/or enhancements, an updated version of this document may be available online. Please scan the QR Code with your mobile device or visit www.elationlighting.com for the latest revision/update of this manual, before installation and/or programming.

Date	Document Version	Software Version ≥	DMX Channel Modes	Notes
10/18/17	1	App: 1.1 Boot: 1.0	6 / 7 / 8 / 9 / 11 / 12	Initial release.
02/02/18	1.2	N/C	NO CHANGE	Updated format.
03/05/18	1.4	App: 1.2 Boot: 1.0	Zoom Channel Update	Added Zoom Disable/Enable via DMX
03/25/19	1.6	N/C	NO CHANGE	Updated System Menu - added Blue sub menu to Manual Mode main menu.

CONTENTS

General Information	4
Limited Warranty (USA Only)	7
Safety Guidelines	8
Fixture Overview	10
Installation Guidelines	11
System Menu	14
DMX Channel Functions And Values	17
Maintenance Guidelines	19
Specifications	20
Optional Accessories	21

GENERAL INFORMATION

INTRODUCTION

This fixture has been designed to perform reliably for years when the guidelines in this booklet are followed. Please read and understand the instructions in this manual carefully and thoroughly before attempting to operate this unit. These instructions contain important information regarding safety during use and maintenance.



IP65 RATED

An IP rated lighting fixture is one, which is commonly installed in outdoor environments and has been designed with an enclosure that effectively protects the ingress (entry) of external foreign objects such as dust and water. The **International Protection (IP)** rating system is commonly expressed as "**IP**" (Ingress Protection) followed by two numbers (i.e. IP65) where the numbers define the degree of protection. The first digit (Foreign Bodies Protection) indicates the extent of protection against particles entering the fixture and the second digit (Water Protection) indicates the extent of protection against water entering the fixture. An IP65 rated lighting fixture is one, which has been designed and tested to protect against the ingress of dust (6) and high-pressure water jets from any direction (5).



MARINE/COASTAL ENVIRONMENT INSTALLATIONS!

Please note although this fixture is IP rated, the fixture is **NOT** suitable for marine and/or coastal environment installations. Installing this fixture in a marine and/or coastal environment may cause corrosion and/or excessive wear to the interior and/or exterior components of the fixture. Damages and/or performance issues resulting from installation in a marine and/or coastal environment will void the manufactures warranty and will **NOT** be subject to any warranty claims and/or repairs.



ENSURE ALL CONNECTIONS AND END CAPS ARE PROPERLY SEALED WITH A NON-CONDUCTIVE DIELECTRIC GREASE (AVAILABLE AT MOST ELECTRICAL SUPPLIERS) TO PREVENT WATER INGRESS/CONDENSATION AND/OR CORROSION.



OPTIONAL CORROSION-RESISTANT COATING

Optional Corrosion-Resistant Coatings may be available for this fixture. Please consult your **Elation Professional** sales representative for details.

UNPACKING

Every fixture has been thoroughly tested and has been shipped in perfect operating condition. Carefully check the shipping carton for damage that may have occurred during shipping. If the carton appears to be damaged, carefully inspect your unit for damage and be sure all accessories necessary to operate the unit have arrived intact. In the event damage has been found or parts are missing, please contact our customer support team for further instructions. Please do not return this unit to your dealer without first contacting customer support at the number listed below. Please do not discard the shipping carton in the trash. Please recycle whenever possible.

BOX CONTENTS

(1) Power Cable

CUSTOMER SUPPORT

Elation Professional® provides a customer support line, to provide set up help and to answer any question should you encounter problems during your set up or initial operation. You may also visit us on the web at www.elationlighting.com for any comments or suggestions. For service related issue please contact Elation Professional®.

ELATION SERVICE USA - Monday - Friday 8:00am to 5:00pm PST

Voice: 323-582-3322

Fax: 323-832-9142

E-mail: support@elationlighting.com

ELATION SERVICE EUROPE - Monday - Friday 08:30 to 17:00 CET

Voice: +31 45 546 85 30

Fax: +31 45 546 85 96

E-mail: support@elationlighting.eu

WARRANTY REGISTRATION

Please complete and mail in the enclosed warranty card or register online: <http://www.elationlighting.com/Login.aspx> to validate your purchase. All returned service items whether under warranty or not, must be freight pre-paid and accompany a return authorization (R.A.) number. The R.A. number must be clearly written on the outside of the return package. A brief description of the problem as well as the R.A. number must also be written down on a piece of paper and included in the shipping container. If the unit is under warranty, you must provide a copy of your proof of purchase invoice. Items returned without a R.A. number clearly marked on the outside of the package will be refused and returned at customer's expense. You may obtain a R.A. number by contacting customer support.



IMPORTANT NOTICE!

There are no user serviceable parts inside this unit. Do not attempt any repairs yourself; doing so will void your manufactures warranty. Damages resulting from modifications to this fixture and/or the disregard of safety and general user instructions found in this user manual void the manufactures warranty and are not subject to any warranty claims and/or repairs.

LIMITED WARRANTY (USA ONLY)

A. Elation Professional® hereby warrants, to the original purchaser, Elation Professional® products to be free of manufacturing defects in material and workmanship for a period of two years (730 days), and Elation Professional® product rechargeable batteries to be free of manufacturing defects in material and workmanship for a period of six months (180 days), from the original date of purchase. This warranty excludes discharge lamps and all product accessories. This warranty shall be valid only if the product is purchased within the United States of America, including possessions and territories. It is the owner's responsibility to establish the date and place of purchase by acceptable evidence, at the time service is sought.

B. For warranty service, send the product only to the Elation Professional® factory. All shipping charges must be pre-paid. If the requested repairs or service (including parts replacement) are within the terms of this warranty, Elation Professional® will pay return shipping charges only to a designated point within the United States. If any product is sent, it must be shipped in its original package and packaging material. No accessories should be shipped with the product. If any accessories are shipped with the product, Elation Professional® shall have no liability what so ever for loss and/or or damage to any such accessories, nor for the safe return thereof.

C. This warranty is void if the product serial number and/or labels are altered or removed; if the product is modified in any manner which Elation Professional® concludes, after inspection, affects the reliability of the product; if the product has been repaired or serviced by anyone other than the Elation Professional® factory unless prior written authorization was issued to purchaser by Elation Professional®; if the product is damaged because not properly maintained as set forth in the product instructions, guidelines and/or user manual.

D. This is not a service contract, and this warranty does not include any maintenance, cleaning or periodic check-up. During the periods as specified above, Elation Professional® will replace defective parts at its expense, and will absorb all expenses for warranty service and repair labor by reason of defects in material or workmanship. The sole responsibility of Elation Professional® under this warranty shall be limited to the repair of the product, or replacement thereof, including parts, at the sole discretion of Elation Professional®. All products covered by this warranty were manufactured after January 1, 1990, and bare identifying marks to that effect.

E. Elation Professional® reserves the right to make changes in design and/or performance improvements upon its products without any obligation to include these changes in any products theretofore manufactured.

F. No warranty, whether expressed or implied, is given or made with respect to any accessory supplied with the products described above. Except to the extent prohibited by applicable law, all implied warranties made by Elation Professional® in connection with this product, including warranties of merchantability or fitness, are limited in duration to the warranty periods set forth above. And no warranties, whether expressed or implied, including warranties of merchantability or fitness, shall apply to this product after said periods have expired. The consumer's and/or dealer's sole remedy shall be such repair or replacement as is expressly provided above; and under no circumstances shall Elation Professional® be liable for any loss and/or damage, direct and/or consequential, arising out of the use of, and/or the inability to use, this product.

G. This warranty is the only written warranty applicable to Elation Professional® products and supersedes all prior warranties and written descriptions of warranty terms and conditions heretofore published.

SAFETY GUIDELINES

This fixture is an extremely sophisticated piece of electronic equipment. To guarantee a smooth operation, it is important to follow all instructions and guidelines in this manual. The manufacturer of this device is not responsible for injury and/or damages resulting from the misuse of this fixture due to the disregard of the information printed in this manual. Only qualified and/or certified personnel should perform installation of this fixture and only the original rigging parts (omega brackets) included with this fixture should be used for installation. Any modifications to the fixture and/or the mounting hardware included will void the original manufactures warranty and increase the risk of damage and/or personal injury.



PROTECTION CLASS 1 - FIXTURE MUST BE PROPERLY GROUNDED!

DO NOT CONNECT GOBO ROTATOR CABLE TO FIXTURE WHEN FIXTURE IS POWERED ON!

DO NOT PLUG FIXTURE INTO A DIMMER PACK!

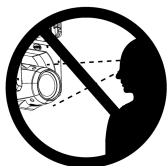


NEVER OPEN THIS FIXTURE WHILE IN USE!

UNPLUG POWER BEFORE SERVICING FIXTURE!

NEVER TOUCH FIXTURE DURING OPERATION, AS IT MAY BE HOT!

KEEP FLAMMABLE MATERIALS AWAY FROM FIXTURE!



NEVER LOOK DIRECTLY INTO THE LIGHT SOURCE!

RETINA INJURY RISK - MAY INDUCE BLINDNESS!

SENSITIVE PERSONS MAY SUFFER AN EPILEPTIC SHOCK!

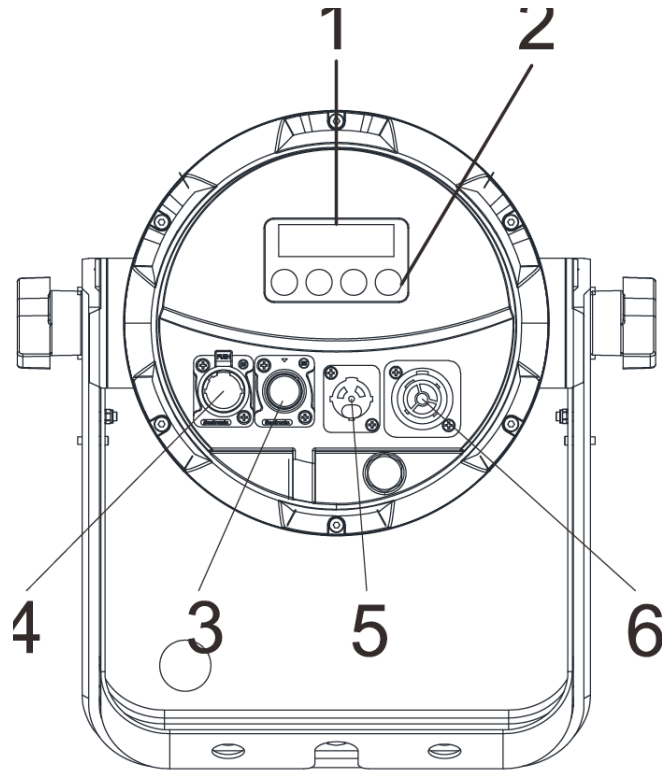


ENSURE ALL CONNECTIONS AND END CAPS ARE PROPERLY SEALED WITH A DIELECTRIC GREASE (AVAILABLE AT MOST ELECTRICAL SUPPLIERS) TO PREVENT WATER CORROSION AND/OR ELECTRICAL SHORT CIRCUIT.

S A F E T Y G U I D E L I N E S



- **DO NOT TOUCH** the fixture housing during operation. Turn OFF the power and allow approximately 15 minutes for the fixture to cool down before serving.
- **DO NOT** shake fixture, avoid brute force when installing and/or operating fixture.
- **DO NOT** operate fixture if the power cord has become frayed, crimped, damaged and/or if any of the power cord connectors are damaged and do not insert into the fixture securely with ease. **NEVER** force a power cord connector into the fixture. If the power cord or any of its connectors are damaged, replace it immediately with a new one of similar power rating.
- **DO NOT** block any air ventilation slots. All fan and air inlets must remain clean and never blocked. Allow approx. 6" (15cm) between fixture and other devices or a wall for proper cooling.
- When installing fixture in a suspended environment, always use mounting hardware that is no less than M10 x 25 mm, and always install fixture with an appropriately rated safety cable.
- Always disconnect fixture from main power source before performing any type of service and/or cleaning procedure. Only handle the power cord by the plug end, never pull out the plug by tugging the wire portion of the cord.
- During the initial operation of this fixture, a light smoke or smell may emit from the interior of the fixture. This is a normal process and is caused by excess paint in the interior of the casing burning off from the heat associated with the lamp and will decrease gradually over time.
- Consistent operational breaks will ensure the fixture will function properly for many years to come.
- Use the original packaging and materials to transport the fixture in for service.


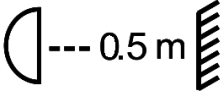
FIXTURE OVERVIEW



1. **OLED Menu Control Display**
2. **Menu/Up/Down/Enter Buttons**
3. **IP Rated 5pin DMX IN**
4. **IP Rated 5pin DMX OUT**
5. **Power Cable IN**
6. **Power Cable OUT**

INSTALLATION GUIDELINES

	FLAMMABLE MATERIAL WARNING Keep fixture at least 5.0 feet (1.5m) away from any flammable materials, decorations, pyrotechnics, etc.
	ELECTRICAL CONNECTIONS A qualified electrician should be used for all electrical connections and/or installations.

	WARNING	
Minimum distance to lighted objects 0.5 meters.		
Minimum distance of inflammable materials from the surface 0.5m.		

DO NOT INSTALL THE FIXTURE IF YOU ARE NOT QUALIFIED TO DO SO!

Fixture **MUST** be installed following all local, national, and country commercial electrical and construction codes and regulations.

Before rigging/mounting the fixture to any metal truss/structure or placing the fixture on any surface, a professional equipment installer **MUST** be consulted to determine if the metal truss/structure or surface is properly certified to safely hold the combined weight of the fixture, clamps, cables, and accessories.

Fixture ambient operating temperature range is **14° to 113°F. (-10° to 45°C)**

Do not use the fixture under or above this temperature.

Fixture should be installed in areas outside walking paths, seating areas, or away from areas where unauthorized personnel might reach the fixture by hand.

NEVER stand directly below the fixture when rigging, removing or servicing.

Overhead fixture installation must always be secured with a secondary safety attachment, such as an appropriately rated safety cable that can hold 10 times the weight of the fixture.

Allow approximately 15 minutes for the fixture to cool down before serving.

INSTALLATION GUIDELINES

POWER LINKING

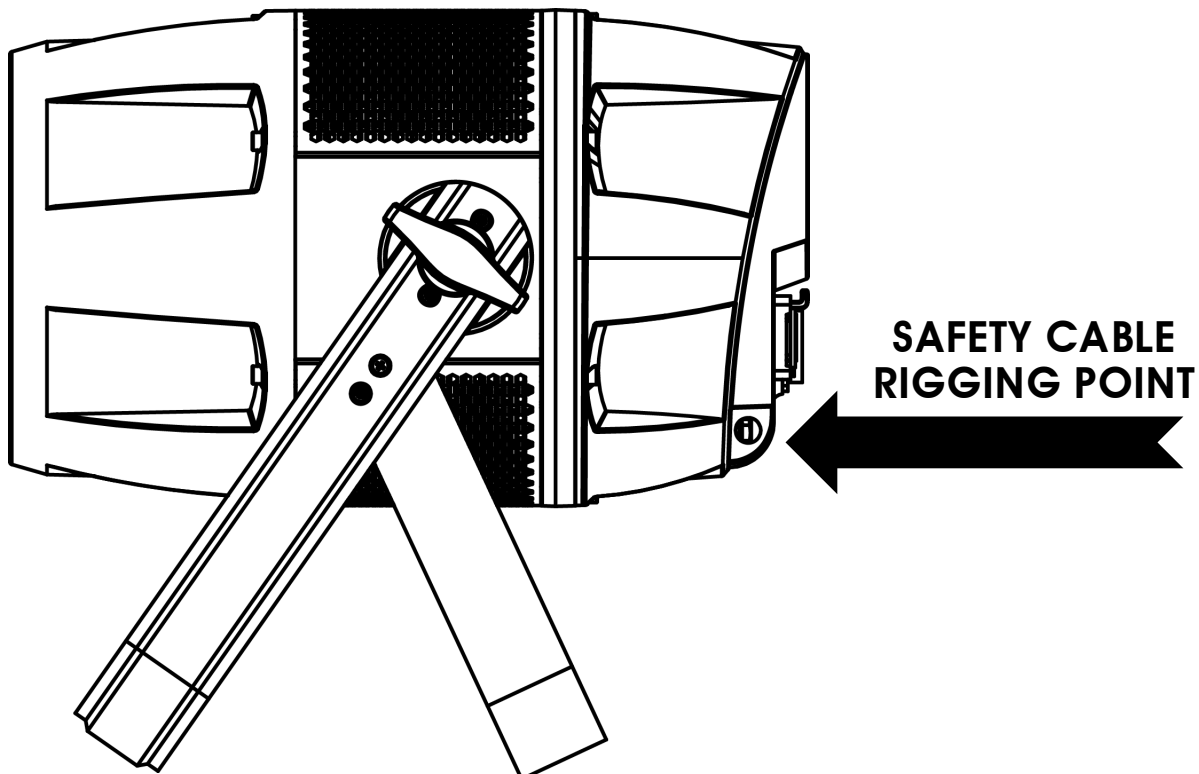
Max number of **ARENA ZOOM Q7IP™** units power linked together:

6units @120V | 12 units @240V

NOTE: CAUTION WHEN POWER LINKING OTHER MODEL FIXTURES AS THE POWER CONSUMPTION OF OTHER FIXTURES MAY EXCEED THE MAX OUTPUT ON THIS FIXTURE.

CLAMP MOUNTING

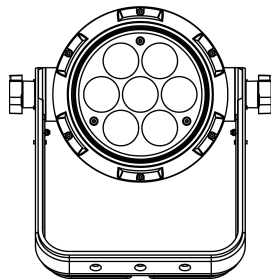
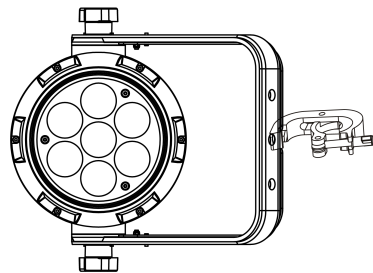
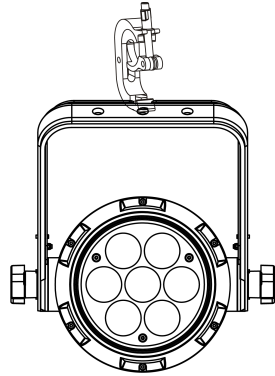
This fixture includes an adjustable mounting yoke and safety cable rigging point attached to the fixture (see the illustration below). When mounting this fixture to truss, be sure to secure an appropriately rated clamp (not included) to the yoke using an M10 screw, and attach a **SAFETY CABLE** to the fixture safety cable rigging point.



INSTALLATION GUIDELINES

RIGGING

Overhead rigging requires extensive experience, including amongst others calculating working load limits, installation material being used, and periodic safety inspection of all installation material and the fixture. If you lack these qualifications, do not attempt the installation yourself. Improper installation can result in bodily injury. Fixture is fully operational in the specific mounting positions illustrated below.

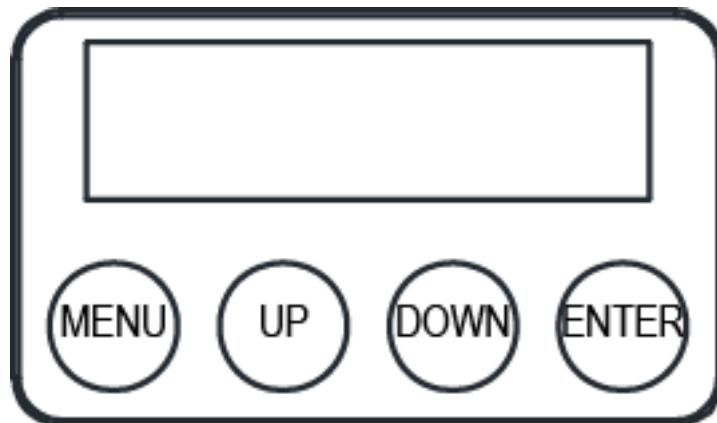


S A F E T Y C A B L E

ALWAYS ATTACH A SAFETY CABLE WHENEVER INSTALLING THIS FIXTURE IN A SUSPENDED ENVIRONMENT TO ENSURE THE FIXTURE WILL NOT DROP IF THE CLAMP FAILS.

SYSTEM MENU

The fixture includes an easy to navigate system menu. The OLED control panel display (see image below) located on the back of the fixture, provides access to the main system menu and is where all necessary system adjustments are made to the fixture. During normal operation, pressing **MENU** button once will access the fixture's main menu. Once in the main menu you can navigate through the different functions and access the sub-menus with the **UP** and **DOWN** buttons. Once you reach a field that requires adjusting, press the **ENTER** button to activate that field and use the **UP** and **DOWN** buttons to adjust the field. Pressing the **ENTER** button once more will confirm your setting. You may exit the main menu at any time without making any adjustments by pressing the **MENU** button.



ELATION ARENA ZOOM Q7IP - S Y S T E M M E N U

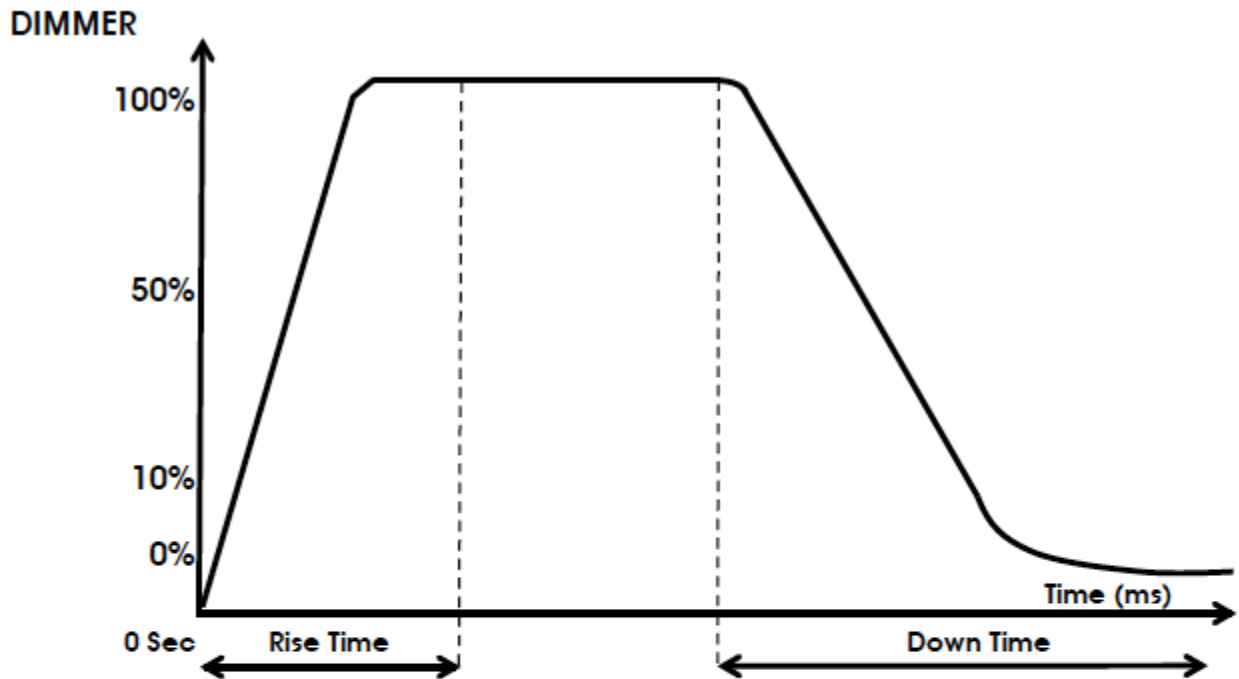
Supports Software Versions: App: ≥1.1 | Boot: ≥1.0

Features subject to change without any prior written notice.

MAIN MENU	SUB MENU	OPTIONS / VALUES (Default Settings in BOLD)		DESCRIPTION
DMX Setting	DMX Address	001 - 512		Set DMX Address Setting
	Channel Mode	6CH, 7CH, 8CH, 9CH, 11CH, 12CH		Select DMX Channel Mode
DMX Last State		Black Out, Hold , Primary/Secondary		Define How Fixture Reacts When NO DMX Signal Is Present
Fixture Setting	Light Mode	White Balance	Red - 0- 255 Green - 0- 255 Blue - 0- 255	Adjust White Balance of Each LED
	Gamma Correction	Disable , 2.0, 2.2, 2.4, 2.8		Set Gamma Brightness
	Constant Color	Enable / Disable		
	Dimmer Curve	Standard , Stage, TV, Architectural, Theatre		Set Dimming Curve Mode
	PWM Frequency	600hz, 1200hz , 2400hz, 3600hz, 4800hz, 6000hz, 10200hz, 15000hz, 20400hz, 25200hz, 28800hz		Set LED Refresh Frequency Rate
	FanMode	Auto Mode , Silent Mode		Set Fan Mode
Internal Program	Total Scenes	1-50 (4)		Set Total Number of Scenes To Use Scenes 1-4 Set by Default: Scene 1 - Red =255 Scene 2 - Green = 255 Scene 3 - Blue = 255 Scene 4 - White = 255
	Edit Scene Colors	1- (x)	Red - 0- 255 Green - 0- 255 Blue - 0- 255 White - 0- 255	Edit RGBW Values for Scenes. Edit Function ONLY Available for Scene Numbers Accessed in Total Scenes Menu
	Fade Time	0-255 secs (4)		Set Transition Time Between Scenes
	Hold Time	0-255 secs (8)		Set Length of Time Scenes Are Displayed
	Zoom	0-255 (0)		Set Zoom 0 = Narrow 255 = Wide
Auto Test		Testing.....		Run Auto Test of Fixture
Manual Mode	Dimmer	0-255		Manual Control of Fixture
	Strobe	0-255		
	Red	0-255		
	Green	0-255		
	Blue	0-255		
	White	0-255		
	Zoom	0-255		
Display Setting	Invert Display	No , Yes		Flip OLED Control Display 180°
	Back Light Auto Off	Disable , Enable		Set OLED Display Backlight Function
	Unit Temperature	F° / C°		Temperature Switch Between F°/ C°
	Display Warning	Disable, Enable		Display Fixture Warning Messages
Fixture Information	LED Temperature	XXX F° / C°		Temperature in Fixture
	Fixture Life Time	(0) Hours		Total Hours of Fixture Usage
	Led Usage Time	(0) Hours		Total Hours of LED Usage
	Firmware Version	App: ≥ 1.1 Boot: ≥ 1.0		Software Versions
Reset Function	Zoom Motor	No , Yes		Reset Zoom Motor
Factory Restore		No , Yes		Reset Fixture Settings to Default

Dimmer Curve Modes

Select dimming modes (Standard, Stage, TV, Architectural, Theatre).



Dimming Curve Ramp Effect	0 sec Fade Time		1 sec Fade Time	
	Rise Time (ms)	Down Time (ms)	Rise Time (ms)	Down Time (ms)
Standard (default)	0	0	0	0
Stage	780	1100	1540	1660
TV	1180	1520	1860	1940
Architectural	1380	1730	2040	2120
Theatre	1580	1940	2230	2280

DMX CHANNEL FUNCTIONS AND VALUES

Supports Software Versions: App: ≥1.1 | Boot: ≥1.0

DMX MODE / CHANNEL						VALUE	FUNCTION
6CH	7CH	8CH	9CH	11CH	12CH		
1	1	1	1	1	1	0 - 255	Red (0-Black, 255-100% Red)
2	2	2	2	2	2	0 - 255	Green (0-Black, 255-100% Green)
3	3	3	3	3	3	0 - 255	Blue (0-Black, 255-100% Blue)
4	4	4	4	4	4	0 - 255	White (0-Black, 255-100% White)
N/A	N/A	N/A	N/A	5	5	0 - 255	Continuous WHITE Color Temp Control 10,000K - 3,200K
N/A	N/A	N/A	5	N/A	6	000 - 009	Open. RGBW Color Mixing Enabled
						010 - 014	LEE 790 - Moroccan pink
						015 - 019	LEE 157 - Pink
						020 - 024	LEE 332 - Special rose pink
						025 - 029	LEE 328 - Follies pink
						030 - 034	LEE 345 - Fuchsia pink
						035 - 039	LEE 194 - Surprise pink
						040 - 044	LEE 181 - Congo Blue
						045 - 049	LEE 071 - Tokyo Blue
						050 - 054	LEE 120 - Deep Blue
						055 - 059	LEE 079 - Just Blue
						060 - 064	LEE 132 - Medium Blue
						065 - 069	LEE 200 - Double CT Blue
						070 - 074	LEE 161 - Slate Blue
						075 - 079	LEE 201 - Full CT Blue
						080 - 084	LEE 202 - Half CT Blue
						085 - 089	LEE 117 - Steel Blue
						090 - 094	LEE 353 - Lighter Blue
						095 - 099	LEE 118 - Light Blue
						100 - 104	LEE 116 - Medium Blue Green
						105 - 109	LEE 124 - Dark Green
						110 - 114	LEE 139 - Primary Green
						115 - 119	LEE 089 - Moss Green
						120 - 124	LEE 122 - Fern Green
						125 - 129	LEE 738 - JAS Green
						130 - 134	LEE 088 - Lime Green
						135 - 139	LEE 100 - Spring Yellow
						140 - 144	LEE 104 - Deep Amber
						145 - 149	LEE 179 - Chrome Orange
						150 - 154	LEE 105 - Orange
						155 - 159	LEE 021 - Gold Amber
160 - 164	LEE 778 - Millennium Gold						
165 - 169	LEE 135 - Deep Golden Amber						
170 - 174	LEE 164 - Flame Red						
175 - 179	White 3200K						
180 - 201	White 4000K						
202 - 207	White 6000K						
208 - 229	White 8000K						
230 - 234	White 10 000K						
235 - 239	Random Color Macros FAST Speed						
240 - 244	Random Color Macros Medium Speed						
245 - 249	Random Color Macros SLOW Speed						
250 - 255	OPEN						

Supports Software Versions: App: ≥ 1.1 Boot: ≥ 1.0							
DMX MODE / CHANNEL						VALUE	FUNCTION
6CH	7CH	8CH	9CH	11CH	12CH		
N/A	N/A	N/A	6	6	7	0 - 31	LEDs OFF
						32 - 63	LEDs ON
						64 - 95	Strobe Effect SLOW to FAST
						96 - 127	LEDs ON
						128 - 159	Pulse Effect SLOW to FAST
						160 - 191	LEDs ON
						192 - 223	Random Strobe SLOW to FAST
						224 - 255	LED ON
N/A	5	5	7	7	8	0 - 255	Intensity 0 to 100%
						0 - 255	Dimmer Intensity FINE Adjustment
N/A	N/A	6	N/A	8	9	0 - 255	Dimmer Intensity FINE Adjustment
						0 - 255	NARROW to WIDE
N/A	N/A	N/A	N/A	10	11	0 - 20	STANDARD
						21 - 40	STAGE
						41 - 60	TV
						61 - 80	ARCHITECTURAL
						81 - 100	THEATRE
						101 - 255	DEFAULT to UNIT CURVE SETTING
6	7	8	9	11	12	0 - 79	Normal
						80 - 84	Reset
						85 - 255	NO FUNCTION

DMX TRAITS CHANGE WITH SOFTWARE UPDATE VERSION ≥ 1.2

See highlighted traits below which have been updated with this software update.

Supports Software Versions: App: ≥ 1.2 Boot: ≥ 1.0							
Specifications subject to change without any prior written notice.							
DMX MODE / CHANNEL						VALUE	FUNCTION
6CH	7CH	8CH	9CH	11CH	12CH		
6	7	8	9	11	12	0 - 79	Normal
						80 - 84	Reset
						85 - 95	Disable ZOOM
						96 - 106	Enable ZOOM
						107 - 255	NO FUNCTION

ZOOM DISABLE/ENABLE VIA DMX

Zoom control via DMX can be disabled so it can only be controlled via Manual Mode on the OLED menu control panel. To disable Zoom control via DMX, set DMX channel 6, 7, 8, 9, 11, or 12 to a value of 85-95 and hold this value for a minimum of 5 seconds. To enable Zoom control via DMX, set DMX channel 6, 7, 8, 9, 11, or 12 to a DMX value of 96-106 and hold this value for a minimum of 5 seconds.

NOTE: ZOOM MOTOR RESET AND FACTORY RESTORE DOES NOT AFFECT THIS FEATURE.

MAINTENANCE GUIDELINES



C A U T I O N

Disconnect power before cleaning or maintenance.

CLEANING

Frequent cleaning is recommended to insure proper function, optimized light output, and an extended life. The frequency of cleaning depends on the environment in which the fixture operates: damp, smoky or particularly dirty environments can cause greater accumulation of dirt on the fixture's optics.

- Clean the external lens surface at least every 20 days with a soft cloth to avoid dirt/debris accumulation. NEVER use alcohol, solvents, or ammonia based cleaners.

MAINTENANCE

Regular inspections are recommended to insure proper function and extended life.

There are no user serviceable parts inside this fixture, please refer all other service issues to an authorized Elation service technician. Should you need any spare parts, please order genuine parts from your local Elation dealer.

Please refer to the following points during routine inspections:

- A detailed electric check by an approved electrical engineer every three months, to make sure the circuit contacts are in good condition and prevent overheating.
- Be sure all screws and fasteners are securely tightened at all times. Loose screws may fall out during normal operation resulting in damage or injury as larger parts could fall.
- Check for any deformations on the housing, color lenses, rigging hardware and rigging points (ceiling, suspension, trussing). Deformations in the housing could allow for dust to enter into the fixture. Damaged rigging points or unsecured rigging could cause the fixture to fall and seriously injure a person(s).
- Electric power supply cables must not show any damage, material fatigue or sediments. Never remove the ground prong from the power cable.

S P E C I F I C A T I O N S

SOURCE

7x 30W Osram™ Cool White LED

30,000 Hour Average LED Life*

*May vary depending on several factors including but not limited to:

Environmental Conditions, Power/Voltage, Usage Patterns (On-Off Cycling), Control, and Dimming.

EFFECTS

Motorized Zoom

38 Color Macros and Variable Speed Macro Effects

Variable 3,200-10,000K Color Temperatures

Selectable Dimming Curve Effects

COLOR

RGBW

CONTROL / CONNECTIONS

6 DMX Channel Modes (6 / 7 / 8 / 9 / 11 / 12)

Adjustable Refresh Rate (600-28,800 (Hz)

Adjustable Gamma Brightness (2.0, 2.2, 2.4, 2.8)

4 Button 180° Reversible OLED Menu Control Display

DMX and RDM Protocol Support

IP Rated 5pin DMX In/Out

Power Cable In/Out

SIZE / WEIGHT

Length: 12.4" (316mm)

Width: 9.6" (245mm)

Vertical Height: 7.8" (197mm)

Weight: 19.0 lbs. (8.6kg)

ELECTRICAL / THERMAL

AC 100-240V - 50/60Hz

250W Max Power Consumption

14°F to 113°F (-10°C to 45°C)

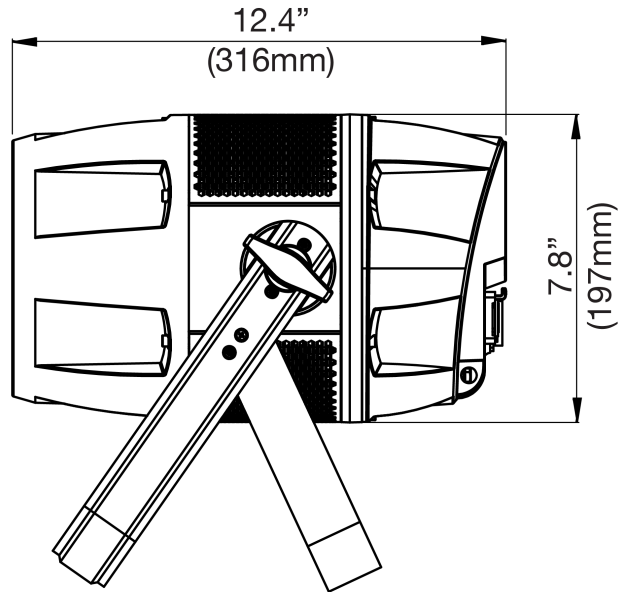
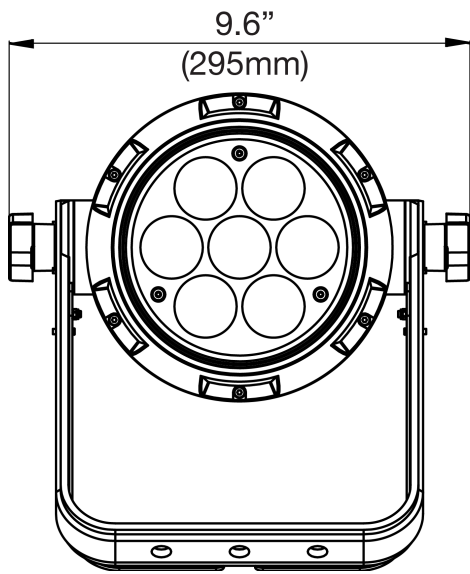
APPROVALS / RATINGS

CE | IP65



Please Note: Specifications and improvements in the design of this unit and this manual subject to change without notice.

DIMENSIONAL DRAWINGS



Please Note: Specifications and improvements in the design of this unit and this manual subject to change without notice

OPTIONAL ACCESSORIES

ORDER CODE	ITEM
QUICK RIG CLAMP	Low Profile Quick Release Clamp
NEU088	3 ft. (1m) Power Link Cable
	Additional Cable Lengths Available

