



## DTW BLINDER 350 IP™

SKU# DTW350

The IP65 rated DTW Blinder 350 IP™ is a 350W LED blinder luminaire featuring (2) high powered 175W 2-in-1 Warm White / Amber COB LEDs, pixel control, each pixel producing a 15° narrow beam angle with included fresnel lens filters or a 65° wide beam with lens removed, a unique “Dim-to-Warm” function that allows dimming from 1,800K to 3,200K, manual adjustable pan focus, electronic strobe and variable dimming curve effects, flicker free operation for TV and Film, RDM (Remote Device Management), IP rated 5pin DMX and IP65 Locking Power Cable in/out connections, LCD menu display with 4 touch button control panel, integrated yoke and side mounting brackets, and a multi-voltage universal auto switching power supply (100-250v).



### FEATURES

**IP65 Rated 350W COB LED Blinder Luminaire**

**(2) 175W 2-in-1 Warm White / Amber COB LEDs**

**>6,000 Lumens | >92 CRI**

**Pixel Control**

**15° Narrow Beam with included Fresnel Lens**

**65° Wide Beam with Fresnel Lens Removed**

**Dim-to-Warm Channel Control (1,800 - 3,200K)**

**RDM (Remote Device Management)**

**Flicker Free Operation for Broadcast TV and FILM**

**Rugged Die-Cast Aluminum Exterior**

**Multiple Unit Power Linking**



**PRODUCT SPECIFICATIONS**

**SOURCE**

(2) 175W 2-in-1 Warm White / Amber COB LEDs  
 50,000 Hour Average LED Life\*

\*LED Life may vary depending on several factors including but not limited to: Environmental Conditions, Power/Voltage, and Usage Patterns (On-Off Cycling, Control and Dimming).

**PHOTOMETRIC DATA**

4,216 LUX 391.7 FC @9.8' (3m) (15° Fresnel Lens Full ON)  
 593 LUX 55.1 FC @9.8' (3m) (65° Full ON)

**EFFECTS**

Pixel Control  
 15° Narrow Beam Angle with Included Fresnel Lens  
 65° Wide Beam Angle with Fresnel Lens Removed  
 Unique Dim-to-Warm Channel Control (1.800K - 3.200K)  
 Electronic Strobe and Variable Dimming Curves

**COLOR**

Warm White / Amber

**CONTROL / CONNECTIONS**

(9) DMX Channel Modes (9 Total Channels)  
 RDM (Remote Device Management)  
 (4) Button TouchControl Panel  
 IP Rated 5pin DMX In/Out  
 IP65 Locking Power Cable In/Out

**SIZE / WEIGHT**

Length: 15.74" (400mm)  
 Width: 9.46" (240.5mm)  
 Vertical Height: 9.64" (245mm)  
 Weight: 18.0 lbs. (8.2 kg)

**ELECTRICAL / THERMAL**

AC 110-240V - 50/60Hz  
 310W Max Power Consumption  
 Multiple Unit Power Linking  
 5°F to 113°F (-15°C to 45°C)

**INCLUDED ITEMS**

(2) 15° Narrow Beam Fresnel Lens  
 IP65 Locking Power Cable

**APPROVALS / RATINGS**

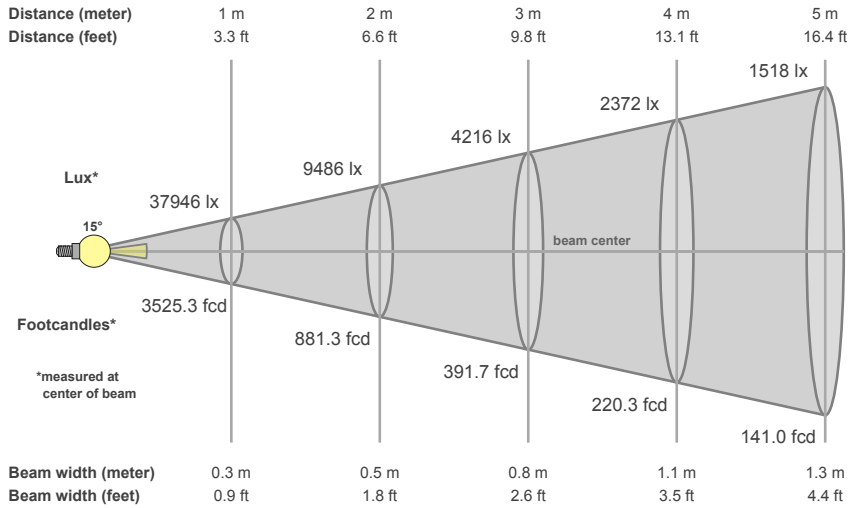


IP65

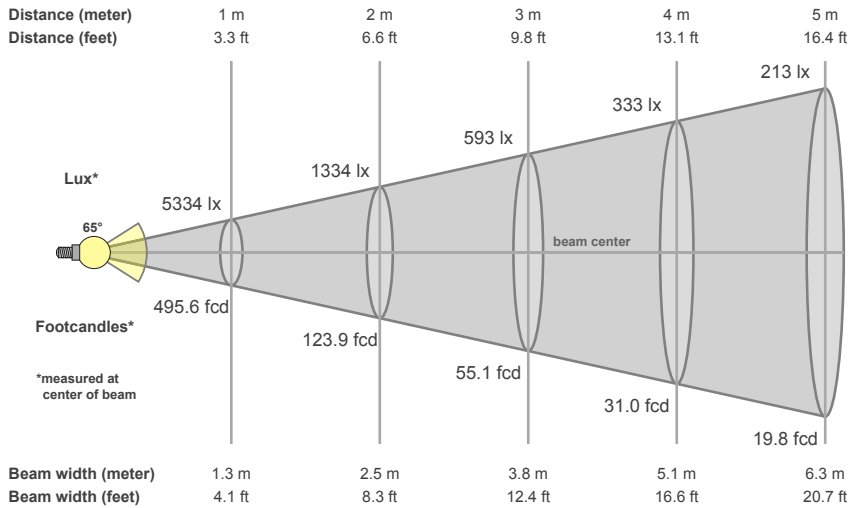


**PHOTOMETRIC DATA**

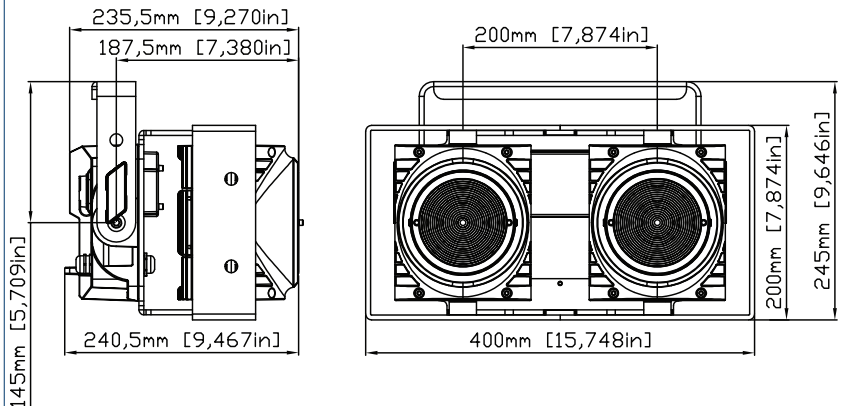
**\*with included Fresnel lens attached**



**\*NO Fresnel lens attached**



**DIMENSIONAL DIAGRAMS**



**OPTIONAL ACCESSORIES**

ORDER CODE	ITEM
<b>NARROW CLAMP</b>	PRO 2" Wrap Around Clamp
<b>805000053</b>	Omega Bracket (107mm)
<b>NEU088</b>	3 ft. (1m) IP65 Locking Power Link Cable
	Additional cable lengths available

Specifications are subject to change without notice ©Elation Professional 08/07/17

