

FUZE PAR Z175™

user manual

©2017 ELATION PROFESSIONAL all rights reserved. Information, specifications, diagrams, images, and instructions herein are subject to change without notice. ELATION PROFESSIONAL logo and identifying product names and numbers herein are trademarks of ELATION PROFESSIONAL. Copyright protection claimed includes all forms and matters of copyrightable materials and information now allowed by statutory or judicial law or hereinafter granted. Product names used in this document may be trademarks or registered trademarks of their respective companies and are hereby acknowledged. All non-ELATION brands and product names are trademarks or registered trademarks of their respective companies.

ELATION PROFESSIONAL and all affiliated companies hereby disclaim any and all liabilities for property, equipment, building, and electrical damages, injuries to any persons, and direct or indirect economic loss associated with the use or reliance of any information contained within this document, and/or as a result of the improper, unsafe, insufficient and negligent assembly, installation, rigging, and operation of this product.

Elation Professional USA | 6122 S. Eastern Ave. | Los Angeles, CA. 90040

323-582-3322 | 323-832-9142 fax | www.elationlighting.com | info@elationlighting.com

Elation Professional B.V. | Junostraat 2 | 6468 EW Kerkrade, The Netherlands

+31 45 546 85 66 | +31 45 546 85 96 fax | www.elationlighting.eu | info@elationlighting.eu

DOCUMENT VERSION



Please check www.elationlighting.com for the latest revision/update of this manual.

Date	Document Version	Software Version ≥	DMX Channel Modes	Notes
04/06/17	1	1.02	6/7/8/12	Initial release.
06/12/17	1.2	N/C	N/C	Updated technical spec page.
01/04/21	1.4	1.07	4/5/5-2/6/7/8/8-2/8-3/ 9/10/10-2/11/11-2/ 11-3/12/13/14/15	Updated Software to V1.06

CONTENTS

General Information	4
Warranty	6
Safety Instructions and Guidelines	7
Overview	9
Installation	10
System Menu	12
DMX Channel Functions And Values	16
Cleaning and Maintenance	20
Technical Specifications	21
Optional Accessories	23

GENERAL INFORMATION

INTRODUCTION

Congratulations, you have just purchased one of the most innovative and reliable IP65 rated lighting fixtures on the market today! This fixture has been designed to perform reliably for years when the guidelines in this booklet are followed. Please read and understand the instructions in this manual carefully and thoroughly before attempting to operate this unit. These instructions contain important information regarding safety during use and maintenance.

UNPACKING

Every fixture has been thoroughly tested and has been shipped in perfect operating condition. Carefully check the shipping carton for damage that may have occurred during shipping. If the carton appears to be damaged, carefully inspect your unit for damage and be sure all accessories necessary to operate the unit have arrived intact. In the event damage has been found or parts are missing, please contact our customer support team for further instructions. Please do not return this unit to your dealer without first contacting customer support at the number listed below. Please do not discard the shipping carton in the trash. Please recycle whenever possible.

BOX CONTENTS

- (1) Gel Frame (attached)
- (1) Gel Frame/Barn Door Holder (attached)
- (1) Barn Door (attached)
- (1) powerCON Cable

CUSTOMER SUPPORT

Elation Professional® provides a customer support line, to provide set up help and to answer any question should you encounter problems during your set up or initial operation. You may also visit us on the web at www.elationlighting.com for any comments or suggestions. For service related issue please contact Elation Professional®.

ELATION SERVICE USA – Monday – Friday 8:00am to 5:00pm PST

Voice: 323-582-3322

Fax: 323-832-9142

E-mail: support@elationlighting.com

ELATION SERVICE EUROPE – Monday – Friday 08:30 to 17:00 CET

Voice: +31 45 546 85 30

Fax: +31 45 546 85 96

E-mail: support@elationlighting.eu

WARRANTY RETURNS

All returned service items whether under warranty or not, must be freight pre-paid and accompany a return authorization (R.A.) number. The R.A. number must be clearly written on the outside of the return package. A brief description of the problem as well as the R.A. number must also be written down on a piece of paper and included in the shipping container. If the unit is under warranty, you must provide a copy of your proof of purchase invoice. Items returned without a R.A. number clearly marked on the outside of the package will be refused and returned at customer's expense. You may obtain a R.A. number by contacting customer support.

IMPORTANT NOTICE!

There are no user serviceable parts inside this unit. Do not attempt any repairs yourself; doing so will void your manufactures warranty. Damages resulting from modifications to this fixture and/or the disregard of safety and general user instructions found in this user manual void the manufactures warranty and are not subject to any warranty claims and/or repairs.



LIMITED WARRANTY

- A. Elation Professional® hereby warrants, to the original purchaser, Elation Professional® products to be free of manufacturing defects in material and workmanship for a period of two years (730 days), and Elation Professional® product rechargeable batteries to be free of manufacturing defects in material and workmanship for a period of six months (180 days), from the original date of purchase. This warranty excludes discharge lamps and all product accessories. This warranty shall be valid only if the product is purchased within the United States of America, including possessions and territories. It is the owner's responsibility to establish the date and place of purchase by acceptable evidence, at the time service is sought.
- B. For warranty service, send the product only to the Elation Professional® factory. All shipping charges must be pre-paid. If the requested repairs or service (including parts replacement) are within the terms of this warranty, Elation Professional® will pay return shipping charges only to a designated point within the United States. If any product is sent, it must be shipped in its original package and packaging material. No accessories should be shipped with the product. If any accessories are shipped with the product, Elation Professional® shall have no liability what so ever for loss and/or or damage to any such accessories, nor for the safe return thereof.
- C. This warranty is void if the product serial number and/or labels are altered or removed; if the product is modified in any manner which Elation Professional® concludes, after inspection, affects the reliability of the product; if the product has been repaired or serviced by anyone other than the Elation Professional® factory unless prior written authorization was issued to purchaser by Elation Professional®; if the product is damaged because not properly maintained as set forth in the product instructions, guidelines and/or user manual.
- D. This is not a service contract, and this warranty does not include any maintenance, cleaning or periodic check-up. During the periods as specified above, Elation Professional® will replace defective parts at its expense, and will absorb all expenses for warranty service and repair labor by reason of defects in material or workmanship. The sole responsibility of Elation Professional® under this warranty shall be limited to the repair of the product, or replacement thereof, including parts, at the sole discretion of Elation Professional®. All products covered by this warranty were manufactured after January 1, 1990, and bare identifying marks to that effect.
- E. Elation Professional® reserves the right to make changes in design and/or performance improvements upon its products without any obligation to include these changes in any products theretofore manufactured.
- F. No warranty, whether expressed or implied, is given or made with respect to any accessory supplied with the products described above. Except to the extent prohibited by applicable law, all implied warranties made by Elation Professional® in connection with this product, including warranties of merchantability or fitness, are limited in duration to the warranty periods set forth above. And no warranties, whether expressed or implied, including warranties of merchantability or fitness, shall apply to this product after said periods have expired. The consumer's and/or dealer's sole remedy shall be such repair or replacement as is expressly provided above; and under no circumstances shall Elation Professional® be liable for any loss and/or damage, direct and/or consequential, arising out of the use of, and/or the inability to use, this product.
- G. This warranty is the only written warranty applicable to Elation Professional® products and supersedes all prior warranties and written descriptions of warranty terms and conditions heretofore published.

SAFETY INSTRUCTIONS AND GUIDELINES

This fixture is an extremely sophisticated piece of electronic equipment. To guarantee a smooth operation, it is important to follow all instructions and guidelines in this manual. The manufacturer of this device is not responsible for injury and/or damages resulting from the misuse of this fixture due to the disregard of the information printed in this manual. Only qualified and/or certified personnel should perform installation of this fixture and only the original rigging parts (omega brackets) included with this fixture should be used for installation. Any modifications to the fixture and/or the mounting hardware included will void the original manufactures warranty and increase the risk of damage and/or personal injury.



PROTECTION CLASS 1 - FIXTURE MUST BE PROPERLY GROUNDED

DO NOT PLUG FIXTURE INTO A DIMMER PACK!



NEVER OPEN THIS FIXTURE WHILE IN USE!

UNPLUG POWER BEFORE SERVICING FIXTURE!

NEVER TOUCH FIXTURE DURING OPERATION, AS IT MAY BE HOT!

KEEP FLAMMABLE MATERIALS AWAY FROM FIXTURE!



INDOOR / DRY LOCATIONS USE ONLY!

DO NOT EXPOSE FIXTURE TO RAIN AND MOISTURE!



NEVER LOOK DIRECTLY INTO THE LIGHT SOURCE!

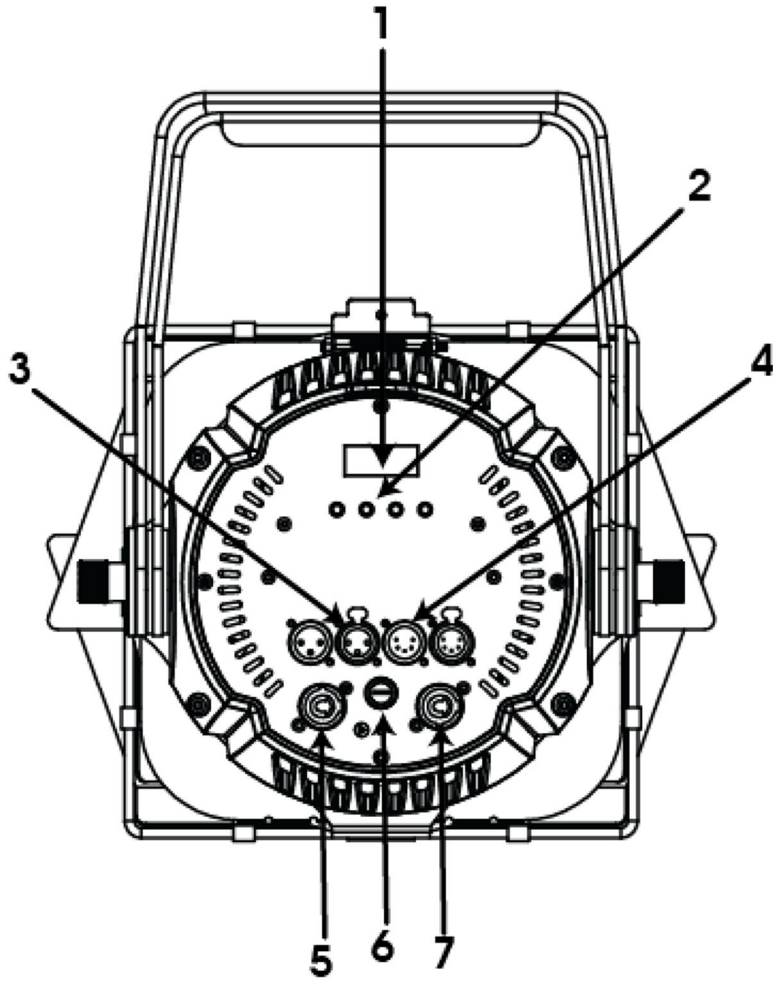
RETINA INJURY RISK - MAY INDUCE BLINDNESS!

SENSITIVE PERSONS MAY SUFFER AN EPILEPTIC SHOCK!

SAFETY INSTRUCTIONS AND GUIDELINES

- **DO NOT TOUCH** the fixture housing during operation. Turn OFF the power and allow approximately 15 minutes for the fixture to cool down before serving.
- **DO NOT** shake fixture, avoid brute force when installing and/or operating fixture.
- **DO NOT** operate fixture if the power cord has become frayed, crimped and/or damaged. If the power cord is damaged, replace it immediately with a new one of similar power rating.
- **DO NOT** block any air ventilation slots. All fan and air inlets must remain clean and never blocked. Allow approx. 6" (15cm) between fixture and other devices or a wall for proper cooling.
- When installing fixture in a suspended environment, always use mounting hardware that is no less than M10 x 25 mm, and always install fixture with an appropriately rated safety cable.
- Always disconnect fixture from main power source before performing any type of service and/or cleaning procedure. Only handle the power cord by the plug end, never pull out the plug by tugging the wire portion of the cord.
- During the initial operation of this fixture, a light smoke or smell may emit from the interior of the fixture. This is a normal process and is caused by excess paint in the interior of the casing burning off from the heat associated with the lamp and will decrease gradually over time.
- Consistent operational breaks will ensure the fixture will function properly for many years to come.
- Use the original packaging and materials to transport the fixture in for service.

OVERVIEW



1. LCD Menu Display
2. MENU, UP, DOWN, ENTER Buttons
3. 3pin DMX IN/OUT
4. 5pin DMX IN/OUT
5. Power IN
6. Fuse
7. power OUT

INSTALLATION



FLAMMABLE MATERIAL WARNING

Keep fixture at least 5.0 ft (1.5m) away from any flammable materials, decorations, pyrotechnics, etc.



ELECTRICAL CONNECTIONS

A qualified electrician should be used for all electrical connections and/or installations.

CAUTIONS

- For added protection, mount the fixture in areas outside walking paths, seating areas, or in areas where unauthorized personnel might reach the fixture.
- Ambient operating temperature range for this fixture is **5° to 113°F. (-15° to 45°C)**
- Do not use the fixture under or above this temperature.
- Before mounting the fixture to any surface, make sure the installation area can hold a minimum point load of 10 times the weight of the fixture.
- Fixture installation must always be secured with a secondary safety attachment, such as an appropriate safety cable.
- Never stand directly below the device when mounting, removing, or servicing.

POWER LINKING

Max number of **FUZE PAR Z175™** units power linked together:

5 units @120V | 10 units @240V

NOTE: USE CAUTION WHEN POWER LINKING OTHER FIXTURES TO FUZE PAR Z175™!



POWER CONSUMPTION OF OTHER LIGHTING FIXTURES WILL VARY!

ALWAYS CHECK MAX AMP OUT RATING PRINTED ON THE REAR CONNECTION PANEL!

CLAMP INSTALLATION

The fixture provides an integrated mounting dual bracket / yoke. When mounting this fixture to truss be sure to secure an appropriately rated clamp to the mounting bracket / yoke using a M10 screw fitted through the center hole. Be sure to attach an appropriate **Safety Cable** (not included) to the fixture using the safety cable rigging point integrated into the back of the fixture.

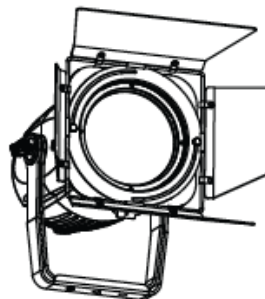
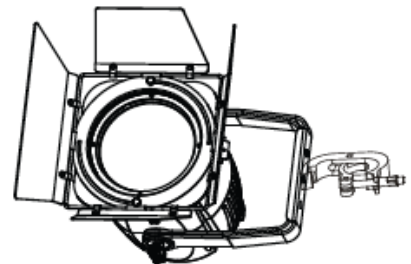
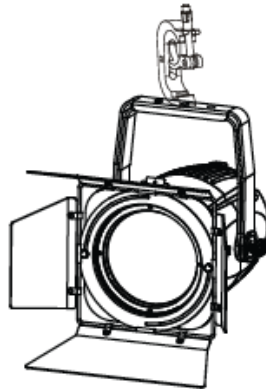
RIGGING

Overhead rigging requires extensive experience, including amongst others calculating working load limits, installation material being used, and periodic safety inspection of all installation material and the fixture. If you lack these qualifications, do not attempt the installation yourself. Improper installation can result in bodily injury. Fixture is fully operational in the specific mounting positions illustrated below.



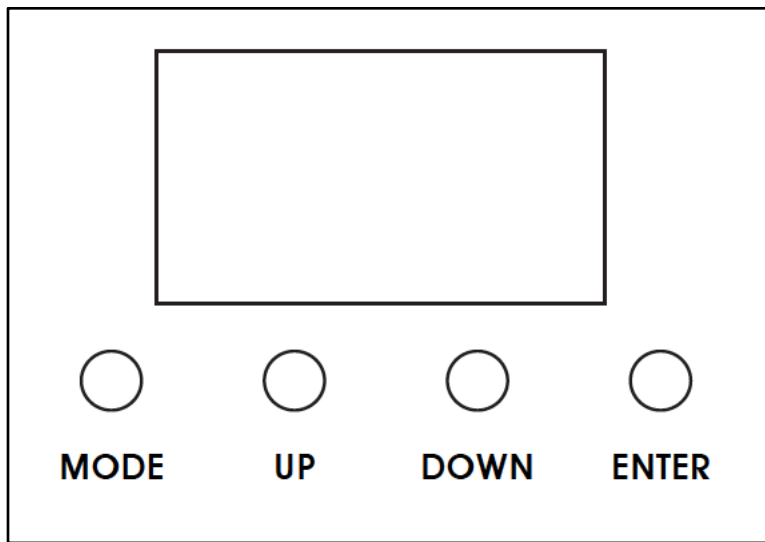
S A F E T Y C A B L E

**ALWAYS ATTACH A SAFETY CABLE TO THE
FIXTURE WHENEVER INSTALLING IN A
SUSPENDED ENVIRONMENT TO ENSURE THE
FIXTURE WILL NOT DROP IF CLAMP FAILS.**



FIXTURE MENU

The fixture comes with an easy to navigate system menu. The control panel (see image below) located on the back of the fixture provides access to the main system menu and is where all necessary system adjustments are made to the fixture. During normal operation, pressing **MODE** button once will access the fixture's main menu. Once in the main menu you can navigate through the different functions and access the sub-menus with the **UP** and **DOWN** buttons. Once you reach a field that requires adjusting, press the **ENTER** button to activate that field and use the **UP** and **DOWN** buttons to adjust the field. Pressing the **ENTER** button once more will confirm your setting. You may exit the main menu at any time without making any adjustments by pressing the **MODE/ESC** button.



LCD CONTROL PANEL LOCKOUT

When the **Key Lock** menu is set to **ON**, the LCD display will turn OFF after 30 seconds and the (4) button Control Panel will be LOCKED. To unlock the (4) button LCD control panel, press and hold the **MODE** button.

Red	000-255
Green	000-255
Blue	000-255
White	000-255
Zoom	000-255

INFORMATION DISPLAYED DURING INITIAL POWER ON

When the fixture is powered ON, the display shows the following information:



Fixture Software Version
(Greater than or equal to)

**ELATION® FUZE PAR Z175™
SYSTEM MENU**

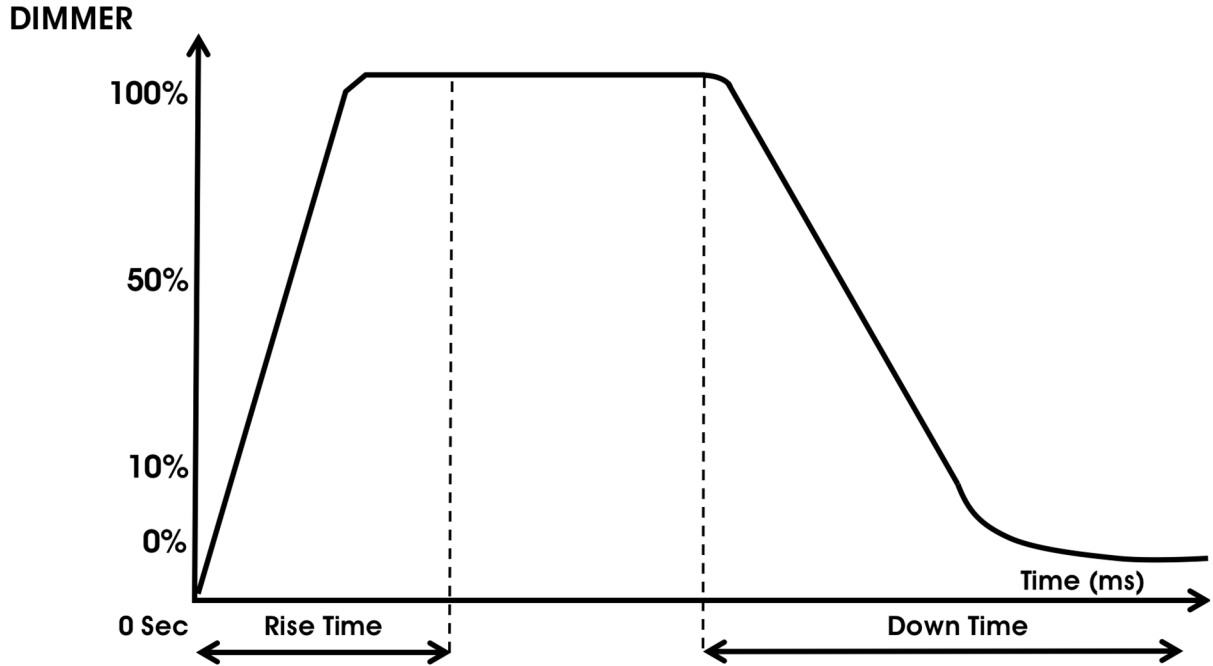
MENU	OPTIONS / VALUES (Default Settings in BOLD)	DESCRIPTION	
Set ADDR	001 ~ XXX	DMX Address Setting	
UserMode	CH:04 RGBW , CH:05 HSI, CH:05 HSI +, CH:07 RGBW, CH:08 sRGBWI, CH:08 RGBW, CH:09 RGBW, CH:10 RGBW, CH:11 16Bit, CH:11 HSI, 13sRGBWI, CH:14 RGBW	Set DMX Channel	
Function	DimCurve	Standard , Stage, TV, Architectur, Theatre	Set Dimmer Curve Mode
	No DMX	Hold / Blackout/ Program	Function If NO DMX Detected
	ZOOM	000 - 255	Manual Zoom Control
	AUTO RUN	FQN: 01 - 99	Set the number of times each internal macro will repeat before moving to the next macro.
	01. STATIC CL: R	R/G/B/RG/GB/RB/RGB/BLAC F 00	Set Static Color Program Macro
	02. CHANG SP01F00	SP 01 -99 F00 -99	Set Color Change Program Macro
	03. FADE SP01F00	SP 01 -99 F00 -99	Set Color Fade Program Macro
	Macros	00 -63	Select Color Macro
		Zoom: 000 - 255	Set Zoom
	LCD. Set	Backligh 05 -60	LCD Backlight Shut Off Time (mins)
		Key Lock OFF / ON	Control Front Panel Buttons Key Lock
		DispFlash ON / OFF	Display flashes when NO DMX
	DFSET	OFF / ON	Reset Fixture Back Factory Defaults
	TEMP	Fahren / Celsius	Temperature Switch Between C°/F°
	FAN SET	Silent / Auto / High	Set Fan
	Calibrat	Red 000-255	Calibrate
		Green 000-255	
Blue 000-255			
White 000-255			
Zoom 000-255			
LED Freq	0.9-25KHz (1200Hz)	LED Frequency	
Info	TimeInfo Current	XXXX (Hours)	Fixture Run Time From Power ON
	TimeInfo TotalTim	XXXX (Hours)	Fixture Total Run Time
	TimeInfo LastClea	XXXX (Hours)	Clear Fixture Last Run Time
	TimeInfo TimePIN	PIN= 050	Enter PIN to Access Clear Last. Menu
	TempInfo	XXX F° / C°	Temperature in Fixture Head
	Modellnf	Fuze Par Z175	Display Fixture Model Name
	Software Version	1U V106B	Software Versions
2U V106B		(greater than or equal to)	

**ELATION© FUZE PAR Z175™
SYSTEM MENU**

MENU	OPTIONS / VALUES (Default Settings in BOLD)		DESCRIPTION
ZoomRset	Reset. M		Set DMX Channel
Secondary	Secondary		Set Secondary Mode
Manual	ManCtrl ZOOM	000 - 255	Manual Control
	ManCtrl Dimmer	000 - 255	
	ManCtrl Red	000 - 255	
	ManCtrl Green	000 - 255	
	ManCtrl Blue	000 - 255	
	ManCtrl White	000 - 255	
	ManCtrl Strobe	000 - 255	

DIMMING CURVES

The **DimCurve** menu allows you to select one of the following preset dimming curves: **Standard**, **Stage**, **TV**, **Architec**, or **Theatre**.



Dimming Curve Ramp Effect	0 sec Fade Time		1 sec Fade Time	
	Rise Time (ms)	Down Time (ms)	Rise Time (ms)	Down Time (ms)
Standard (default)	0	0	0	0
Stage	780	1100	1540	1660
TV	1180	1520	1860	1940
Architectural	1380	1730	2040	2120
Theatre	1580	1940	2230	2280

DMX CHANNEL FUNCTIONS AND VALUES

ELATION© FUZE PAR Z175™

DMX Channel Values / Functions Version (15 DMX Channels)

Supports Software Versions: ≥ 1.06

Features are subject to change without any prior written notice

MODE / CHANNEL															VALUE	FUNCTION			
4CH RGBW	5CH RGBW	5CH-2 HSI	6CH HIS+	7CH RGBW	8CH sRGBW	8CH-2 RGBW	8CH-3 RGBW	9CH RGBW	10CH RGBW	10CH-2 RGBW	11CH RGBW	11CH-2 16bit	11CH-3 HSI	12CH 16bit	13CH sRGBW	14CH RGBW	15CH RGBW		
1	1			1	2	1	1	1	1	1	1	1		1	2	1	1	0-255	Red 0-100%
												2		2				0-255	Red Fine 0-100%
2	2			2	3	2	2	2	2	2	2	3		3	3	2	2	0-255	Green 0-100%
												4		4				0-255	Green Fine 0-100%
3	3			3	4	3	3	3	3	3	3	5		5	4	3	3	0-255	Blue 0-100%
												6		6				0-255	Blue Fine 0-100%
4	4			4	5	4	4	4	4	4	4	7		7	5	4	4	0-255	White 0-100%
												8		8				0-255	White Fine 0-100%
					1			5	5	5	5		1		1	6	6	0-255	Strobe
		1	1												2			0-255	Hue 0-100%
		2	2												3	1		0-255	Saturation 0-100%
				5		5	5	6	6	6	6					7	7	0-255	Dimmer 0-100%
						6		7	7	7	7					8	8	0-255	Dimmer Fine 0-100%
		3	3		6								4		6				Intensity
													5		7	5	5		Macros
		4	4	6	7	7	6	8	8	8	8	9	6	9	8	9	9		Zoom
												10		10					Zoom Fine
																		0	Auto Programs
																		01-20	Off
																		21-40	Auto Program1
																		41-60	Auto Program2
																		61-80	Auto Program3
																		81-100	Auto Program4
																		101-120	Auto Program5
													7		9	10	10	121-140	Auto Program6
																		141-160	Auto Program7
																		161-180	Auto Program8
																		181-200	Auto Program9
																		201-220	Auto Program10
																		221-240	Auto Program11
																		241-250	Auto Program12
																		251-255	Auto Program13
																			Fade
													8		10	11	11	0-255	Programs Speed
													9		11	12	12	0-255	Programs Fade
			5					9		9		10		12	13	13			Dimmer Curve
		5	6	7	8	8	7	9	10	9	10	11	11	11	13	14	14	0-79	Special
																		80-84	Normal
																		85-255	Zoom Reset
																			No Function

ELATION© FUZE PAR Z175™
DMX Channel Values / Functions Version (15 DMX Channels)

Supports Software Versions: ≥ 1.06

Features are subject to change without any prior written notice

MODE / CHANNEL															VALUE	FUNCTION
															0-3	No Function
															4-6	1200 Hz
															7-9	900 Hz
															10-12	910 Hz
															13-15	920 Hz
															16-18	930 Hz
															19-21	940 Hz
															22-24	950 Hz
															25-27	960 Hz
															28-30	970 Hz
															31-33	980 Hz
															34-36	990 Hz
															37-39	1000 Hz
															40-42	1010 Hz
															43-45	1020 Hz
															46-48	1030 Hz
															49-51	1040 Hz
															52-54	1050 Hz
															55-57	1060 Hz
															58-60	1070 Hz
															61-63	1080 Hz
															64-66	1090 Hz
															67-69	1100 Hz
															70-72	1110 Hz
															73-75	1120 Hz
															76-78	1130 Hz
															79-81	1140 Hz
															82-84	1150 Hz
															85-87	1160 Hz
5															88-90	1170 Hz
															91-93	1180 Hz
															94-96	1190 Hz
															97-99	1210 Hz
															100-102	1220 Hz
															103-105	1230 Hz
															106-108	1240 Hz
															109-111	1250 Hz
															112-114	1260 Hz
															115-117	1270 Hz
															118-120	1280 Hz
															121-123	1290 Hz
															124-126	1300 Hz
															127-129	1310 Hz
															128-130	1320 Hz
															131-133	1330 Hz
															134-136	1340 Hz
															137-139	1350 Hz
															140-142	1360 Hz
															143-145	1370 Hz
															146-148	1380 Hz
															149-151	1390 Hz
															152-154	1400 Hz
															155-157	1410 Hz
															158-160	1420 Hz
															161-163	1430 Hz
															164-166	1440 Hz
															167-169	1450 Hz
															170-172	1460 Hz
															173-175	1470 Hz

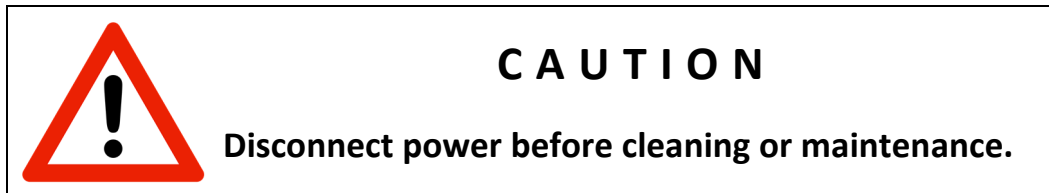
ELATION© FUZE PAR Z175™
DMX Channel Values / Functions Version (15 DMX Channels)

Supports Software Versions: ≥ 1.06

Features are subject to change without any prior written notice

MODE / CHANNEL															VALUE	FUNCTION
															176-178	1480 Hz
															179-181	1490 Hz
															182-184	1500 Hz
															185-187	2500 Hz
															188-190	4000 Hz
															191-193	5000 Hz
															194-196	6000 Hz
															197-199	10,000 Hz
															200-202	15,000 Hz
															203-205	20,000 Hz
															206-208	25,000 Hz
															209-255	No Function

CLEANING AND MAINTENANCE



CLEANING

Frequent cleaning is recommended to insure proper function, optimized light output, and an extended life. The frequency of cleaning depends on the environment in which the fixture operates: damp, smoky or particularly dirty environments can cause greater accumulation of dirt on the fixture's optics.

- Clean the external lens surface at least every 20 days with a soft cloth to avoid dirt/debris accumulation.
- Never use alcohol, solvents, or ammonia based cleaners.

MAINTENANCE

Regular inspections are recommended to insure proper function and extended life.

There are no user serviceable parts inside this fixture, please refer all other service issues to an authorized Elation service technician. Should you need any spare parts, please order genuine parts from your local Elation dealer.

Please refer to the following points during routine inspections:

- A detailed electric check by an approved electrical engineer every three months, to make sure the circuit contacts are in good condition and prevent overheating.
- Be sure all screws and fasteners are securely tightened at all times. Loose screws may fall out during normal operation resulting in damage or injury as larger parts could fall.
- Check for any deformations on the housing, color lenses, rigging hardware and rigging points (ceiling, suspension, trussing). Deformations in the housing could allow for dust to enter into the fixture. Damaged rigging points or unsecured rigging could cause the fixture to fall and seriously injure a person(s).
- Electric power supply cables must not show any damage, material fatigue or sediments. Never remove the ground prong from the power cable.

TECHNICAL SPECIFICATIONS

SOURCE

175W RGBW COB LED

50,000 Hour Average LED Life*

*May vary depending on several factors including but not limited to:

Environmental Conditions, Power/Voltage, Usage Patterns (On-Off Cycling), Control, and Dimming.

EFFECTS

8° - 35° Motorized Zoom

Electronic Strobe

Color and Chase Macros

Electronic Dimming: 0% - 100%

16-bit Dimming and Variable Dimming Curve Modes

CONTROL / CONNECTIONS

(12) DMX Channel Modes (14 Total Channels)

(4) Button Touch Control Panel

LCD Menu Display

3pin/5pin DMX In/Out

powerCON In/Out

SIZE / WEIGHT (with barn doors attached)

Length: 18.2" (463mm)

Width: 16.2" (411mm)

Vertical Height: 17.0" (431mm)

Weight: 20.0 lbs. (9.07 kg)

ELECTRICAL / THERMAL

AC 100-250V - 50/60Hz

220W Max Power Consumption

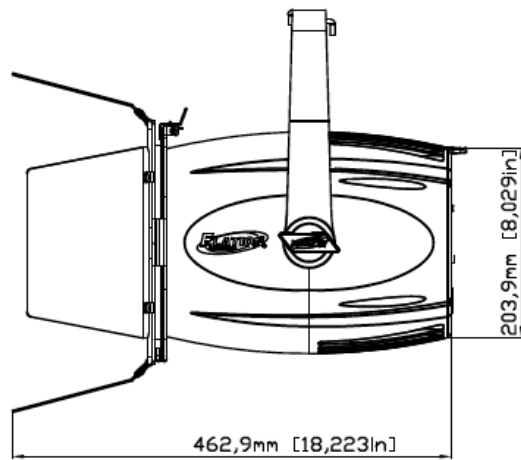
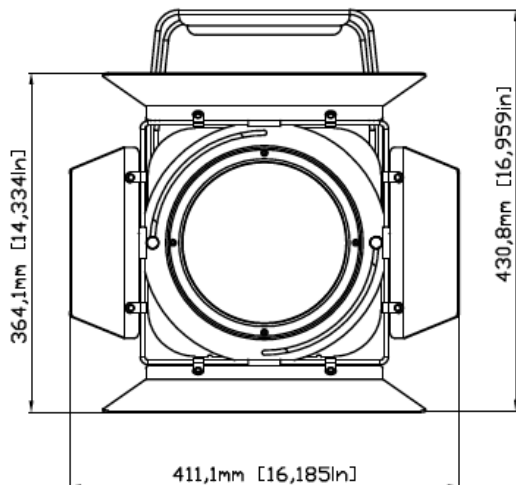
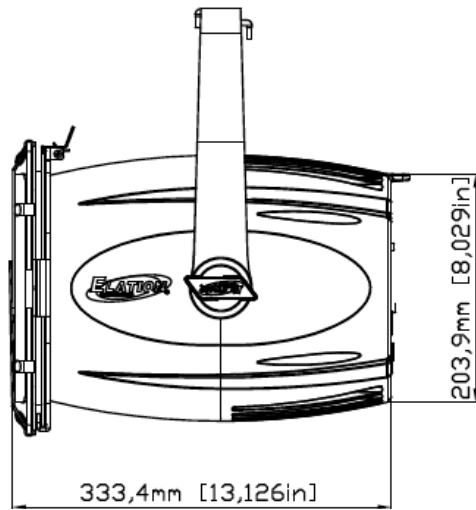
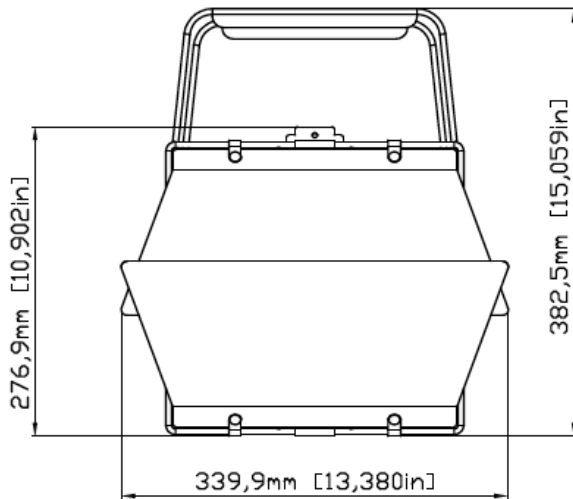
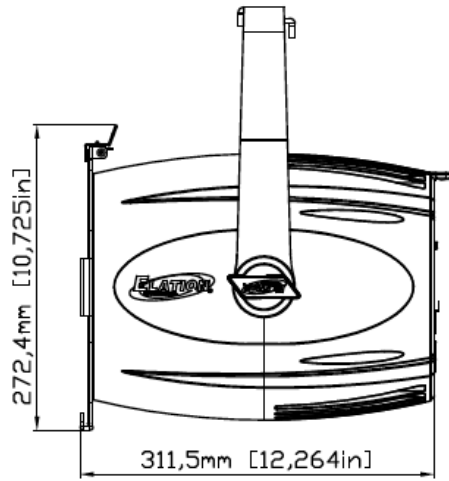
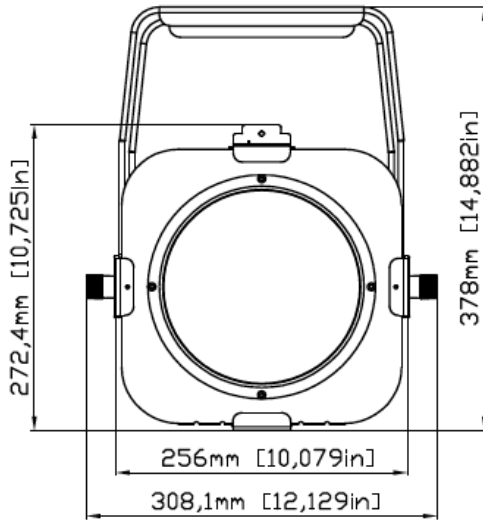
5°F to 113°F (-15°C to 45°C)

APPROVALS / RATINGS

CE | IP30

Please Note: Specifications and improvements in the design of this unit and this manual are subject to change without any prior written notice.

DIMENSIONAL DRAWINGS



Please Note: Specifications and improvements in the design of this unit and this manual are subject to change without any prior written notice.

OPTIONAL ACCESSORIES

ORDER CODE	ITEM
NARROW CLAMP	Heavy Duty Wrap Around Hook Style Clamp
SCABLE 60	60 lbs. Rating 24 Inch Safety Cable
AC3PDMX5PRO	5 ft. (1.5m) 3pin PRO DMX Cable
AC5PDMX5PRO	5 ft. (1.5m) 5pin PRO DMX Cable
PLC3	3 ft. (1m) PowerCON PRO Link Cable
	Additional Cable Lengths Available

