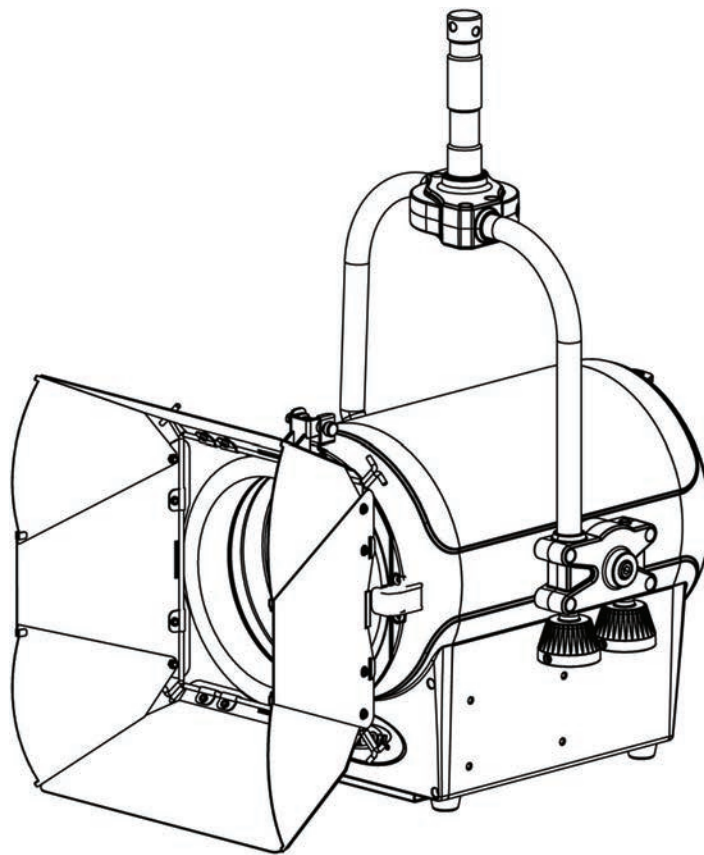




KL FRESNEL 8 PO



User Manual

©2021 ELATION PROFESSIONAL all rights reserved. Information, specifications, diagrams, images, and instructions herein are subject to change without notice. ELATION PROFESSIONAL logo and identifying product names and numbers herein are trademarks of ELATION PROFESSIONAL. Copyright protection claimed includes all forms and matters of copyrightable materials and information now allowed by statutory or judicial law or hereinafter granted. Product names used in this document may be trademarks or registered trademarks of their respective companies and are hereby acknowledged. All non-ELATION brands and product names are trademarks or registered trademarks of their respective companies.

ELATION PROFESSIONAL and all affiliated companies hereby disclaim any and all liabilities for property, equipment, building, and electrical damages, injuries to any persons, and direct or indirect economic loss associated with the use or reliance of any information contained within this document, and/or as a result of the improper, unsafe, insufficient and negligent assembly, installation, rigging, and operation of this product.

Elation Professional USA | 6122 S. Eastern Ave. | Los Angeles, CA. 90040
323-582-3322 | 323-832-9142 fax | www.elationlighting.com | info@elationlighting.com

Elation Professional B.V. | Junostraat 2 | 6468 EW Kerkrade, The Netherlands
+31 45 546 85 66 | +31 45 546 85 96 fax | www.elationlighting.eu | info@elationlighting.eu

Elation Professional Mexico | AV Santa Ana 30 | Parque Industrial Lerma, Lerma, Mexico 52000
+52 (728) 282-7070

DOCUMENT VERSION



Due to additional product features and/or enhancements, an updated version of this document may be available online. Please scan the QR Code with your mobile device or visit www.elationlighting.com for the latest revision/update of this manual, before installation and/or programming.

Date	Document Version	Software Version	DMX Channel Mode	Notes
06/01/21	1.0	1.08	1/2/3/4/5 Channels	Initial Release

CONTENTS

General Information	4
Limited Warranty	5
Safety Guidelines	6
Maintenance Guidelines	8
Overview	9
Fixture Installation	10
Accessory Installation	12
Control Panel	13
System Menu	14
DMX Channel Functions	16
Dimmer Modes and Curves	18
Manual Dimming and Zoom Control	19
Specifications	20
Dimensional Drawings	21

GENERAL INFORMATION

INTRODUCTION

Please read and understand the instructions in this manual carefully and thoroughly before attempting to operate this device. These instructions contain important safety and use information.

UNPACKING

Every device has been thoroughly tested and has been shipped in perfect operating condition. Carefully check the shipping carton for damage that may have occurred during shipping. If the carton is damaged, carefully inspect the device for damage, and be sure all accessories necessary to install and operate the device have arrived intact. In the event damage has been found or parts are missing, please contact our customer support team for further instructions. Please do not return this device to your dealer without first contacting customer support. Please do not discard the shipping carton in the trash. Please recycle whenever possible.

BOX CONTENTS

Fixture (x1)
Barndoor Assembly (x1)
Junior Pin (x1)
Gel Frame (x1)

CUSTOMER SUPPORT

Contact ELATION Service for any product related service and support needs. Also visit forums.elationlighting.com with questions, comments, or suggestions.

ELATION SERVICE USA - Monday - Friday 8:00am to 4:30pm PST
323-582-3322 | Fax 323-832-9142 | support@elationlighting.com

ELATION SERVICE EUROPE - Monday - Friday 08:30 to 17:00 CET
+31 45 546 85 63 | Fax +31 45 546 85 96 | support@elationlighting.eu

REPLACEMENT PARTS please visit parts.elationlighting.com



IMPORTANT NOTICE!

THERE ARE NO USER SERVICEABLE PARTS INSIDE THIS UNIT. DO NOT ATTEMPT ANY REPAIRS YOURSELF; DOING SO WILL VOID YOUR MANUFACTURER'S WARRANTY. DAMAGES RESULTING FROM MODIFICATIONS TO THIS FIXTURE AND/OR THE DISREGARD OF SAFETY INSTRUCTIONS AND GUIDELINES IN THIS MANUAL VOID THE MANUFACTURER'S WARRANTY AND ARE NOT SUBJECT TO ANY WARRANTY CLAIMS AND/OR REPAIRS.

LIMITED WARRANTY

A. Elation Professional hereby warrants, to the original purchaser, Elation Professional products to be free of manufacturing defects in material and workmanship for a period of two years (730 days), and Elation Professional product rechargeable batteries to be free of manufacturing defects in material and workmanship for a period of six months (180 days), from the original date of purchase. This warranty excludes discharge lamps and all product accessories. This warranty shall be valid only if the product is purchased within the United States of America, including possessions and territories. It is the owner's responsibility to establish the date and place of purchase by acceptable evidence, at the time service is sought. B. For warranty service, send the product only to the Elation Professional factory. All shipping charges must be pre-paid. If the requested repairs or service (including parts replacement) are within the terms of this warranty, Elation Professional will pay return shipping charges only to a designated point within the United States. If any product is sent, it must be shipped in its original package and packaging material. No accessories should be shipped with the product. If any accessories are shipped with the product, Elation Professional shall have no liability what so ever for loss and/or or damage to any such accessories, nor for the safe return thereof. C. This warranty is void if the product serial number and/or labels are altered or removed; if the product is modified in any manner which Elation Professional concludes, after inspection, affects the reliability of the product; if the product has been repaired or serviced by anyone other than the Elation Professional factory unless prior written authorization was issued to purchaser by Elation Professional; if the product is damaged because not properly maintained as set forth in the product instructions, guidelines and/or user manual. D. This is not a service contract, and this warranty does not include any maintenance, cleaning or periodic check-up. During the periods as specified above, Elation Professional will replace defective parts at its expense, and will absorb all expenses for warranty service and repair labor by reason of defects in material or workmanship. The sole responsibility of Elation Professional under this warranty shall be limited to the repair of the product, or replacement thereof, including parts, at the sole discretion of Elation Professional. All products covered by this warranty were manufactured after January 1, 1990, and bare identifying marks to that effect. E. Elation Professional reserves the right to make changes in design and/or performance improvements upon its products without any obligation to include these changes in any products theretofore manufactured. F. No warranty, whether expressed or implied, is given or made with respect to any accessory supplied with the products described above. Except to the extent prohibited by applicable law, all implied warranties made by Elation Professional in connection with this product, including warranties of merchantability or fitness, are limited in duration to the warranty periods set forth above. And no warranties, whether expressed or implied, including warranties of merchantability or fitness, shall apply to this product after said periods have expired. The consumer's and/or dealer's sole remedy shall be such repair or replacement as is expressly provided above; and under no circumstances shall Elation Professional be liable for any loss and/or damage, direct and/or consequential, arising out of the use of, and/or the inability to use, this product. G. This warranty is the only written warranty applicable to Elation Professional products and supersedes all prior warranties and written descriptions of warranty terms and conditions heretofore published.

WARRANTY RETURNS

All returned service items whether under warranty or not, must be freight pre-paid and accompany a return authorization (R.A.) number. The R.A. number must be clearly written on the outside of the return package. A brief description of the problem as well as the R.A. number must also be written down on a piece of paper and included in the shipping container. If the unit is under warranty, you must provide a copy of your proof of purchase invoice. Items returned without a R.A. number clearly marked on the outside of the package will be refused and returned at customer's expense. You may obtain a R.A. number by contacting customer support.

SAFETY GUIDELINES

This fixture is a sophisticated piece of electronic equipment. To guarantee smooth operation, it is important to follow all instructions and guidelines in this manual. Elation Professional is not responsible for injury and/or damages resulting from the misuse of this fixture due to the disregard of the information printed in this manual. Only qualified and/or certified personnel should perform installation of this fixture and only the original rigging parts included with this fixture should be used for installation. Any modifications to the fixture and/or the included mounting hardware will void the original manufacturer's warranty and increase the risk of damage and/or personal injury.



PROTECTION CLASS 1 - FIXTURE MUST BE PROPERLY GROUNDED.



THERE ARE NO USER SERVICEABLE PARTS INSIDE THIS UNIT. DO NOT ATTEMPT ANY REPAIRS YOURSELF. DOING SO WILL VOID YOUR MANUFACTURER'S WARRANTY. DAMAGES RESULTING FROM MODIFICATIONS TO THIS DEVICE AND/OR THE DISREGARD OF SAFETY INSTRUCTIONS AND GUIDELINES IN THIS MANUAL VOID THE MANUFACTURER'S WARRANTY AND ARE NOT SUBJECT TO ANY WARRANTY CLAIMS AND/OR REPAIRS.



**DO NOT PLUG THIS UNIT INTO A DIMMER PACK
DO NOT REMOVE THE COVER UNDER ANY CONDITIONS
NEVER OPERATE THIS UNIT WITH THE CASING REMOVED
UNPLUG FROM POWER DURING LONG PERIODS OF NON-USE
DISCONNECT POWER BEFORE PERFORMING MAINTENANCE**



**NEVER LOOK DIRECTLY INTO THE LIGHT SOURCE!
RETINA INJURY RISK - MAY INDUCE BLINDNESS!
SENSITIVE PERSONS MAY SUFFER AN EPILEPTIC SHOCK!**



**FOR USE IN INDOOR OR DRY LOCATIONS ONLY!
DO NOT EXPOSE TO RAIN AND/OR MOISTURE!**



**FIXTURE SHOULD BE PLACED A MINIMUM OF 1.0 FOOT (0.3 METERS) FROM ANY NEARBY OBJECTS OR SURFACES.
FIXTURE SHOULD BE PLACED A MINIMUM OF 1.6 FEET (0.5 METERS) FROM ANY FLAMMABLE MATERIALS.
MAXIMUM AMBIENT OPERATING TEMPERATURE IS 113°F (45°C)**

SAFETY GUIDELINES

- Do not touch the fixture housing during operation, as it may be hot.
- Do not shake the fixture, and avoid using brute force when installing and/or operating.
- Use only the original packaging and materials to transport or ship the fixture for service. Make sure to retain the original packaging for this purpose.
- Be sure that the local power outlet matches the required voltage for the device.
- Do not open up the device for any reason. There are no user serviceable parts inside.
- Disconnect the device's main power when left unused for long periods of time.
- Never connect this device to a dimmer pack.
- Do not attempt to operate this device if it has been damaged in any way.
- Never operate this device with the cover removed.
- Do not attempt to operate this device if the power cord has been frayed or broken.
- Never force a power cord connector into the fixture. If the power cord or any of its connectors are damaged, replace immediately with a new cord of the same power rating.
- Do not attempt to remove or break off the ground prong from the electrical cord. This prong is used to reduce the risk of electrical shock and fire in case of an internal short.
- Only handle the power cord by the plug end. Never disconnect the plug by tugging on the wire portion of the power cord.
- Disconnect from main power before making any type of connection.
- Never block the air ventilation slots. Always be sure to mount this device in an area that will allow proper ventilation. Allow about 6" (15cm) between this device and a wall.
- Always mount this unit in a safe and stable matter.
- Please route your power cord out of the way of foot traffic. Power cords should be routed so they are not likely to be walked on or pinched by items placed upon or against them.
- Before performing any servicing, turn off and disconnect the device from power and allow at least 15 minutes for the device to cool.
- Consistent operational breaks will ensure that this fixture will function properly for many years.
- The device should be serviced by qualified service personnel when:
 - A. The power-supply cord or the plug has been damaged.
 - B. Objects have fallen on, or liquid has been spilled into, the device.
 - C. The device has been immersed in liquid or exposed to moisture.
 - D. The appliance does not appear to operate normally or exhibits a marked change in performance.
- **Keep all flammable materials away from this fixture!**

MAINTENANCE GUIDELINES



DISCONNECT POWER BEFORE PERFORMING ANY MAINTENANCE!

CLEANING

Frequent cleaning is recommended to ensure proper function, optimized light output, and an extended life. The frequency of cleaning depends on the environment in which the fixture operates: damp, smoky, or particularly dirty environments can cause greater accumulation of dirt on the fixture's optics. Clean periodically with a soft cloth to avoid dirt/debris accumulation.

NEVER use alcohol, solvents, or ammonia-based cleaners.

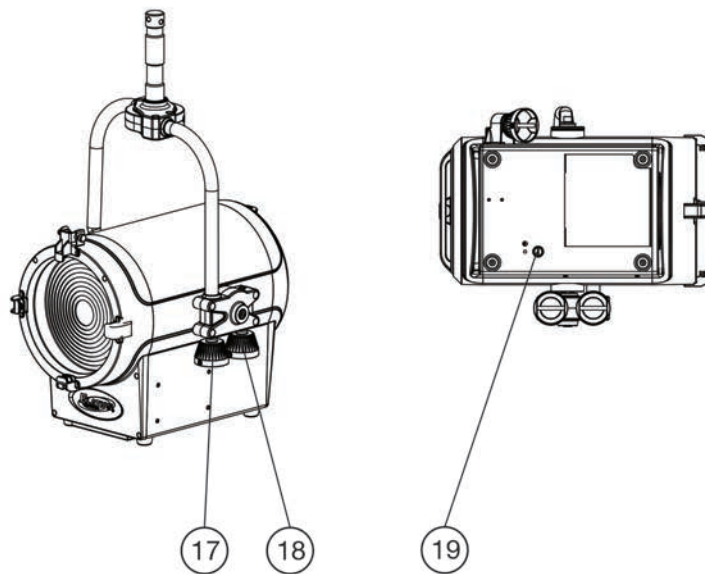
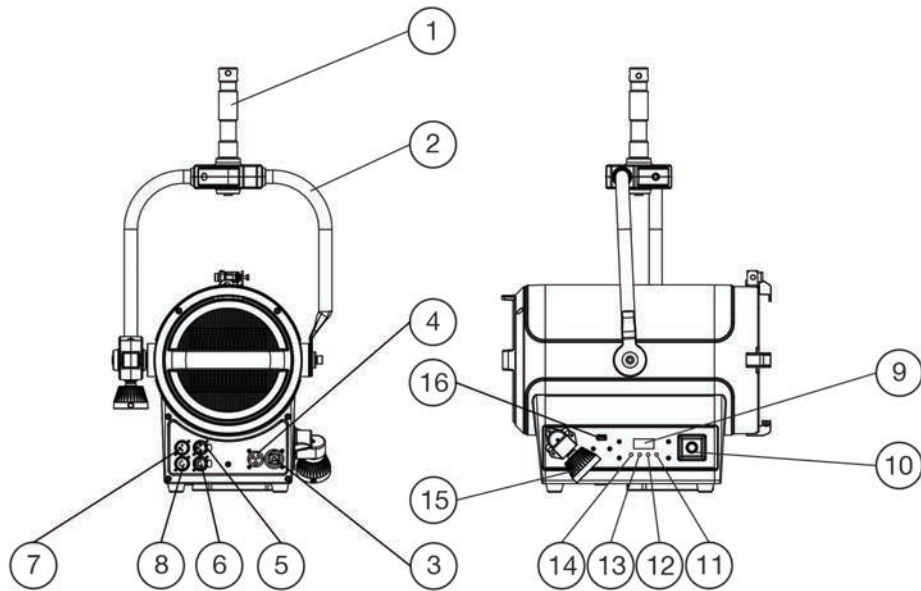
MAINTENANCE

Regular inspections are recommended to insure proper function and extended life. There are no user serviceable parts inside this fixture. Please refer all other service issues to an authorized Elation service technician. Should you need any spare parts, please order genuine parts from an authorized Elation dealer.

Please refer to the following points during routine inspections:

- A detailed electrical check by an approved electrical engineer every three months, to make sure the circuit contacts are in good condition and prevent overheating.
- Be sure all screws and fasteners are securely tightened at all times. Loose screws may fall out during normal operation, resulting in damage or injury as larger parts could fall.
- Check for any deformations on the housing, color lenses, rigging hardware, and rigging points (ceiling, suspension, trussing). Deformations in the housing could allow for dust to enter into the fixture. Damaged rigging points or unsecured rigging could cause the fixture to fall and seriously injure a person(s).
- Electric power supply cables must not show any damage, material fatigue, or sediments.

OVERVIEW



- | | |
|---------------------|--------------------------|
| 1. Junior Pin | 11. Enter Button |
| 2. Mounting Bracket | 12. Down Button |
| 3. Power Out | 13. Up Button |
| 4. Power In | 14. Mode Button |
| 5. DMX Out (3-pin) | 15. Zoom Adjustment Knob |
| 6. DMX Out (5-pin) | 16. USB Port |
| 7. DMX In (3-pin) | 17. Pan Adjustment Knob |
| 8. DMX In (5-pin) | 18. Tilt Adjustment Knob |
| 9. Display Screen | 19. Fuse |
| 10. Dimmer Knob | |

FIXTURE INSTALLATION



FLAMMABLE MATERIAL WARNING

Keep fixture minimum 5.0 feet (1.5m) away from flammable materials and/or pyrotechnics.



ELECTRICAL CONNECTIONS

A qualified electrician should be used for all electrical connections and/or installations.



MINIMUM DISTANCE TO OBJECTS/SURFACES IS 1 FOOT (0.3 METERS)



MINIMUM DISTANCE OF FLAMMABLE MATERIALS FROM THE SURFACE IS 1.6 FEET (0.5 METER)



MAXIMUM AMBIENT TEMPERATURE 113° F (45°C)



DO NOT INSTALL THE FIXTURE IF YOU ARE NOT QUALIFIED TO DO SO!

When linking multiple units via the power input/output terminals, the maximum number of units that can be linked are as follows:

- 3 units with 110V power
- 7 units with 240V power

When this number has been reached, a new power outlet must be used to accommodate additional units. All linked units **MUST** be of the same make and model type. **DO NOT MIX UNITS!**

Fixture **MUST** be installed following all local, national, and country commercial electrical and construction codes and regulations.

Before rigging/mounting a single fixture or multiple fixtures to any metal truss/structure or placing the fixture(s) on any surface, a professional equipment installer **MUST** be consulted to determine if the metal truss/structure or surface is properly certified to safely hold the combined weight of the fixture(s), clamps, cables, and accessories.

Fixture(s) should be installed in areas outside walking paths, seating areas, or away from areas where unauthorized personnel might reach the fixture by hand.

NEVER stand directly below the fixture(s) when rigging, removing, or servicing.

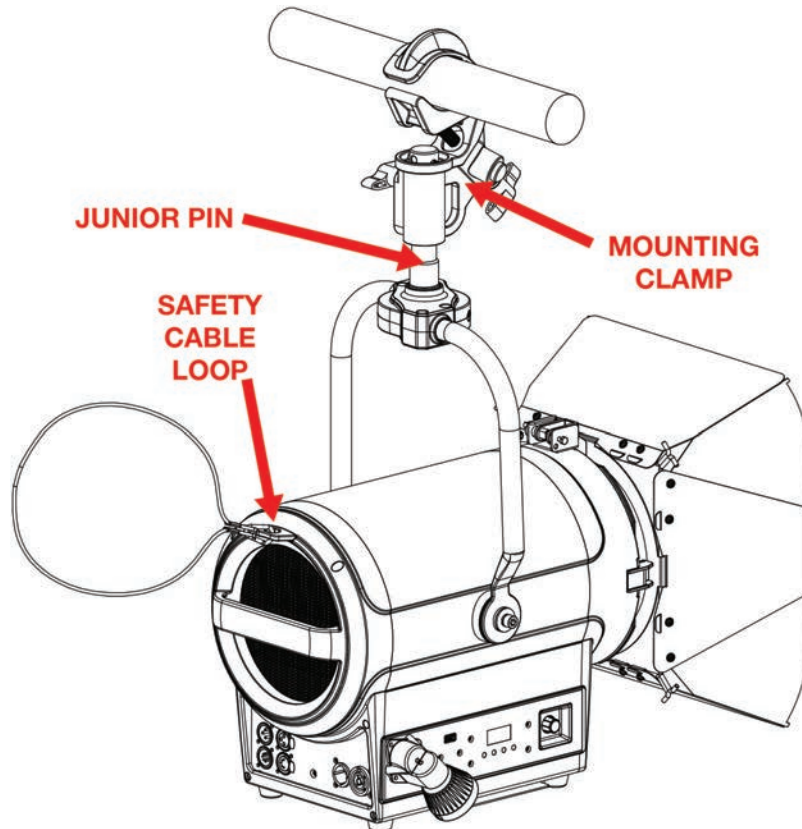
Overhead fixture installation must always be secured with a secondary safety attachment, such as an appropriately rated safety cable.

Allow approximately 15 minutes for the fixture to cool down before serving.

FIXTURE INSTALLATION

CLAMP INSTALLATION

A mounting clamp can be attached to the top of the junior pin for mounting purposes. The device also features an attachment point for a safety cable on the rear of the housing (see the illustration below for reference). When mounting the fixture to a truss or any other suspended or overhead installation, be sure to secure an appropriately rated clamp (not included) to the junior pin and attach a separate **SAFETY CABLE** of the appropriate safety rating to the safety cable rigging point.



ALWAYS ATTACH A SAFETY CABLE WHENEVER INSTALLING THIS FIXTURE IN A SUSPENDED ENVIRONMENT TO ENSURE THAT THE FIXTURE WILL NOT FALL IF THE CLAMP FAILS.

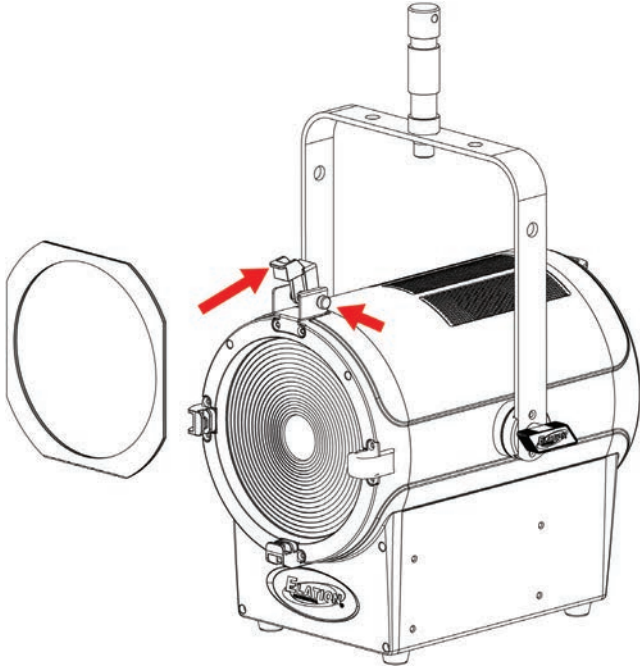
RIGGING

Overhead rigging requires extensive experience, including but not limited to: calculating working load limits, understanding the installation material being used, and periodic safety inspection of all installation material and the fixture itself. If you lack these qualifications, do not attempt to perform the installation yourself. Improper installation can result in bodily injury.

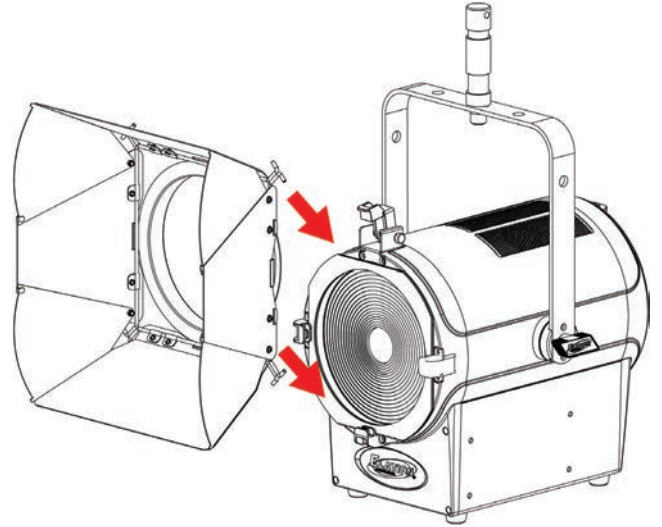
ACCESSORY INSTALLATION

GEL FRAME / BARNDOR INSTALLATION

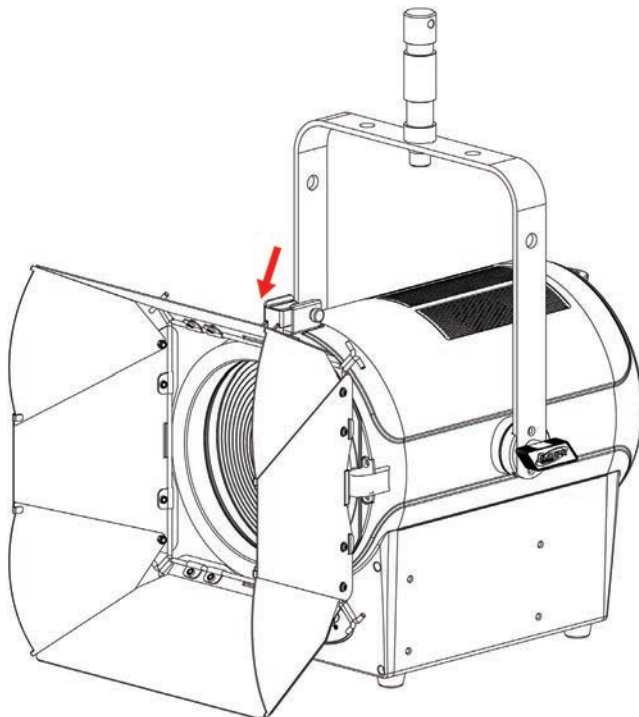
1. Press the frame latch release and lift the latch release, as indicated by the two red arrows. Slide the gel frame into place in front of the lens.



2. Slide the barndoor assembly into place in front of the gel frame.



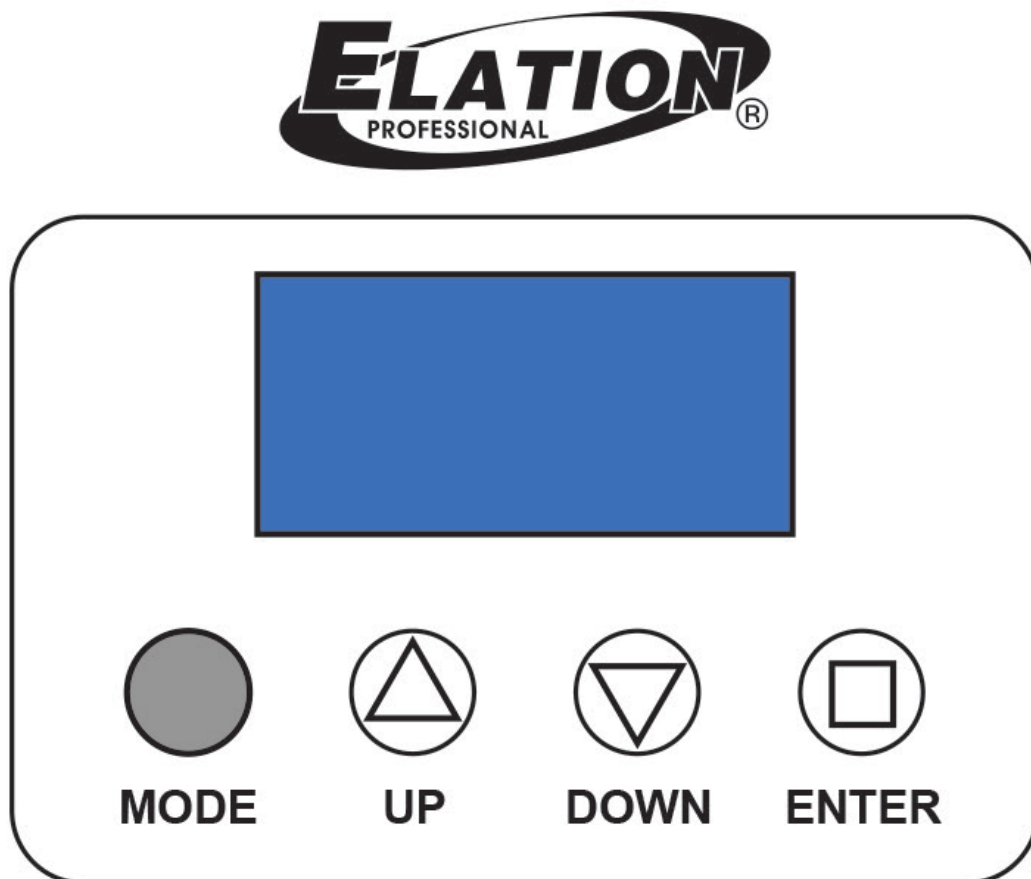
3. Flip the frame latch back down into place, making sure that the latch release locks.



CONTROL PANEL

The fixture includes an easy to navigate system menu. The control panel display is located on the rear panel of the fixture (see image below) and provides access to the main system menu, where all necessary system adjustments are made to the fixture. During normal operation, pressing the MODE button once will access the fixture's main menu. Once in the main menu you can navigate through the different functions and access the sub-menus with the DOWN and UP buttons. Once you reach a field that requires adjusting, press the ENTER button to activate that field and use the DOWN and UP buttons to adjust the field. Pressing the ENTER button once more will confirm the setting. Exit the main menu at any time without making any adjustments by pressing the MODE button.

The display screen will shut OFF automatically after 30 seconds of inactivity. To turn the display back on, press and hold the MODE button for 3 seconds.



STANDALONE:

Press the MODE button to access the fixture's main menu. Use the UP and DOWN buttons to navigate to "DMX Settings" and press the ENTER button. Navigate to "No DMX Status" and press the ENTER button. Navigate to "Standalone" and press the ENTER button.

SYSTEM MENU

ELATION KL FRESNEL 8 PO				
Supports Software Versions: 1.08				
ADDRESS	Address "XXX"	001 - 511		
USERMODE	Dimmer			
	Dimmer 16bit			
	3CH			
	Standard			
	Extended			
FUNCTION	Status	Lost DMX	Black / Hold	
	LCD Set	Display	On / Off	30 S lock display
		Key Lock	On / Off	
		Flash	On / Off	Display will flash if there is no signal
		Invert	On / Off	Flip display 180 degrees
	Temp C/F	C / F		
	Dim Mode	Standard		
		Stage		
		TV		
		Architec		
		Theatre		
		Stage2		
		0.0s		
		0.1s		
		...		
		10s		
	Disp. Set	ADDR		
		Disp. Ch		
		Secondary		
	Fan Set	LED Fan	Auto	
			High	
			Low	
	Dim Curve	Linear		
		Square		
		Inv-Square		
		S-Curve		
	CONTINUED ON NEXT PAGE			

SYSTEM MENU

ELATION KL FRESNEL 8 PO				
Supports Software Versions: 1.08				
FUNCTION (CONTINUED)	Frequen	900, 1000, 1100, 1200 , 1300, 1400, 1500, 2500, 4000, 5000, 10k, 15k, 25k, 25k (Hz)		
	USB Data	On / Off		
	Primary	On / Off		
	DFSE	On / Off		
INFO	Time Info	Current		Check current running time
		Total		Total time
		Last		Time since running time was last cleared
		Clear	On / Off Password = 050/60	Clear hours
	Temp Info	LED Temp	C / F	
	Err Info	None / ...		
	Model Inf	KL F8 PO		
	Software			
TEST	Man Ctrl	Dimmer	000 - 255	<i>Note:</i> Dimming can also be controlled via the dimming knob.
		Strobe	000 - 255	

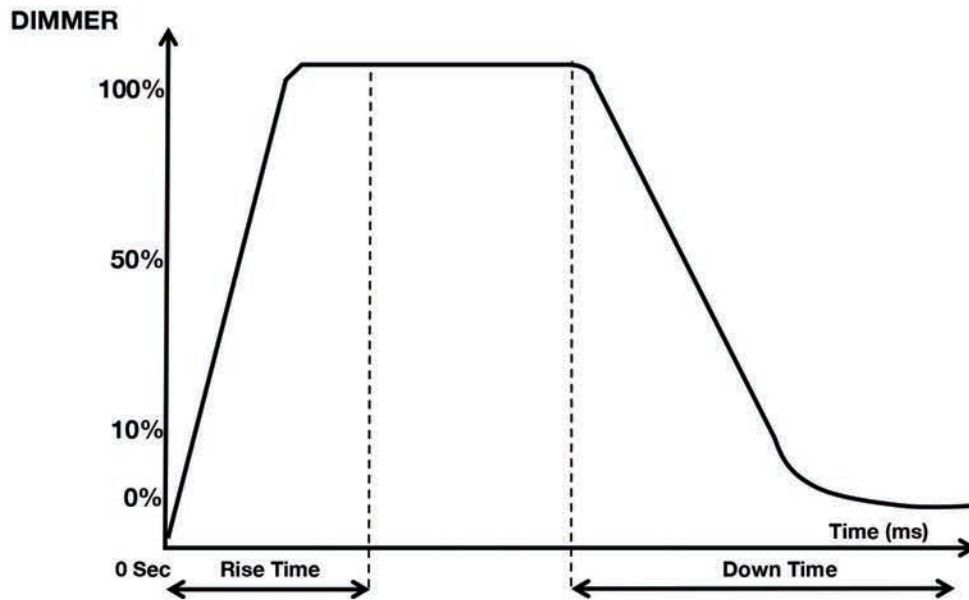
DMX CHANNEL FUNCTIONS

ELATION KL FRESNEL 8 PO						
Supports Software Versions: 1.08						
Dimmer	Dimmer 16bit	3ch	Standard	Extended	DMX Values	Function
1	1	1	1	1	000 - 255	Intensity , close to open
	2		2	2	000 - 255	Intensity Fine , close to open
		2	3	3		Strobe
					000 - 031	Closed
					032 - 063	Open
					064 - 095	Strobe, slow to fast
					096 - 127	Open
					128 - 159	Pulse, slow to fast
					160 - 191	Open
					192 - 223	Random, slow to fast
					224 - 255	Open
						Dim Modes
					000 - 020	Standard (default)
					021 - 040	Stage
					041 - 060	TV
					061 - 080	Architectural
					081 - 100	Theatre
					101 - 120	Stage 2
						Dimmer Delay Time
					121	0.0s
					122	0.1s
					123	0.2s
					124	0.3s
					125	0.4s
					126	0.5s
					127	0.6s
					128	0.7s
					129	0.8s
					130	0.9s
					131	1.0s
					132	1.5s
					133	2.0s
					134	3.0s
CONTINUED ON NEXT PAGE						

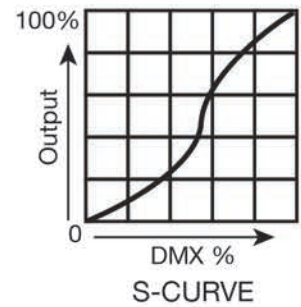
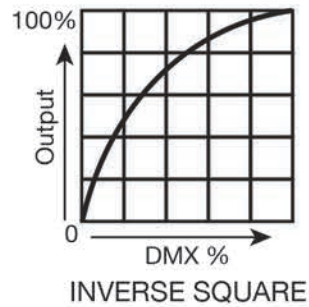
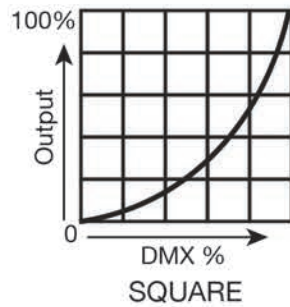
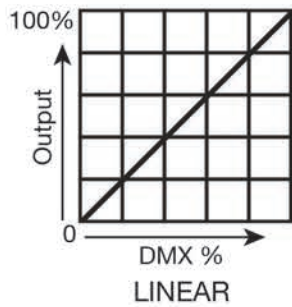
DMX CHANNEL FUNCTIONS

ELATION KL FRESNEL 8 PO						
Supports Software Versions: 1.08						
Dimmer	Dimmer 16bit	3ch	Standard	Extended	DMX Values	Function
		3	4	4		Dimmer Delay Time (continued)
					135	4.0s
					136	5.0s
					137	6.0s
					138	7.0s
					139	8.0s
					140	9.0s
					141	10s
					142 - 255	Default
				5		Control (hold for 3s)
					000 - 100	Idle
						Change Refresh Rate (Hz)
					101 - 105	900
					106 - 110	1000
					111 - 115	1100
					116 - 120	1200 (default)
					121 - 125	1300
					126 - 130	1400
					131 - 135	1500
					136 - 140	2500
					141 - 145	4000
					146 - 150	5000
					151 - 155	10000
					156 - 160	15000
					161 - 165	20000
					166 - 170	25000
					171 - 200	Idle
						Dimmer Curve
					201 - 210	Linear (default)
					211 - 220	Square
					221 - 230	Inverse Square
					231 - 240	S-Curve
					241 - 255	Idle

DIMMER MODES & CURVES



Dimming Curve Ramp Effect	0 sec Fade Time		1 sec Fade Time	
	Rise Time (ms)	Down Time (ms)	Rise Time (ms)	Down Time (ms)
Standard (default)	0	0	0	0
Stage	780	1100	1540	1660
TV	1180	1520	1860	1940
Architectural	1380	1730	2040	2120
Theatre	1580	1940	2230	2280
Stage 2	0	1100	0	1660



MANUAL DIMMING AND ZOOM CONTROL

Follow steps below to enable manual DIMMING and ZOOM control knobs.

1. Disconnect any DMX cables from the device.
2. From the main system menu, select the “Test” option, then select the “Man Ctrl” sub-menu. See the **System Menu** section of this manual for details.
NOTE: To access the LCD Menu Control Display when the screen is locked or powered down, press and hold the MODE button for 3 seconds.
3. Select the Strobe option, and set to a value of 255 (LED ON). Return to the main system menu.
4. Push the DIMMING knob to unlock, rotate to adjust as desired, and push the knob again to lock.
5. Push the ZOOM knob to unlock, rotate to adjust as desired, and push the knob again to lock.

NOTE: FEATURE IS DISABLED WHEN DMX INPUT CABLE IS CONNECTED TO FIXTURE!

In order to use these manual dimming and zoom knobs, any DMX cables must be disconnected beforehand. When the DMX cables have been disconnected, the display screen will display “Dim:XXX” and “Zoom XXX” to indicate that manual dimming and zoom control have been enabled, as shown below.



SPECIFICATIONS

SOURCE

350W Warm or Cool White LED Engine
14,000 Total Output Lumens, 3,000K, 96CRI
50,000 Hour Average LED Life*

*May vary depending on several factor, including but not limited to: environmental conditions, power and voltage, usage patterns (on-off cycling), control, and dimming.

PHOTOMETRIC DATA

19,410 LUX 1,803 FC @ 9.8' (3m) (Min. Zoom)

1,853 LUX 172 FC @ 9.8' (3m) (Max. Zoom)

Zoom Range 11° - 57°

Beam Angle 10.8° - 56.8°

Field Angle 16.6° - 75.5°

EFFECTS

High Speed Electronic Shutter and Strobe
Variable Dimming Curves, Dim Modes and Dimming Delays

COLOR

3,000K Warm White LED

CONTROL / CONNECTIONS

5 DMX Channels Modes (1 / 2 / 3 / 4 / 5)
DMX Support
RDM (Remote Device Management)
Adjustable Refresh Frequency (900 – 25,000Hz)
8 / 16 Bit Dimming Control
4 Button + 1 Dial Control Panel
Manual and DMX Controlled Dimming
180° Reversible LCD Menu Display
USB Firmware Service Port
Locking 3/5pin XLR DMX In/Out and Power In/Out

SIZE / WEIGHT

Length: 17.5" (445mm)
Width: 12.9" (328mm)
Vertical Height: 18.0" (456mm)
Weight: 28.0 lbs. (12.7 kg)

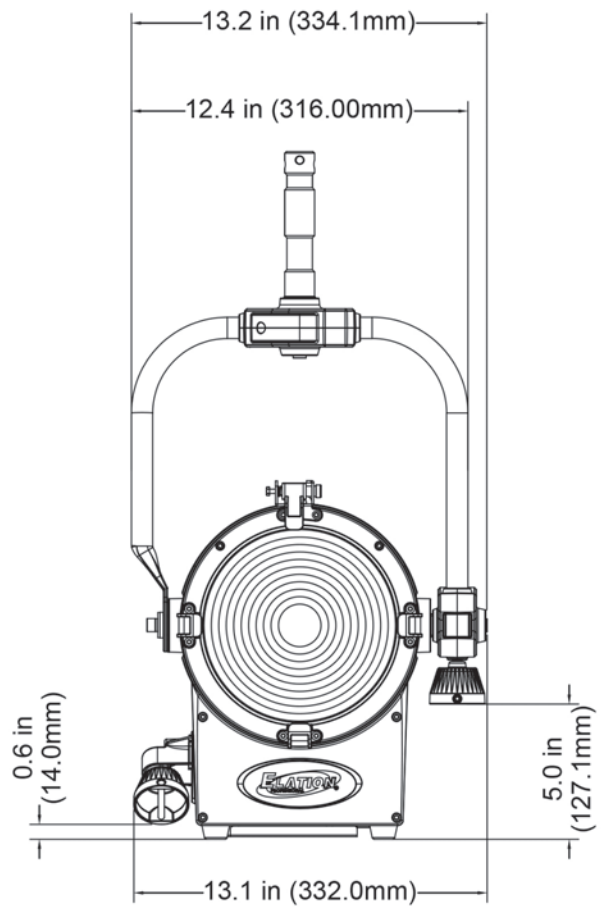
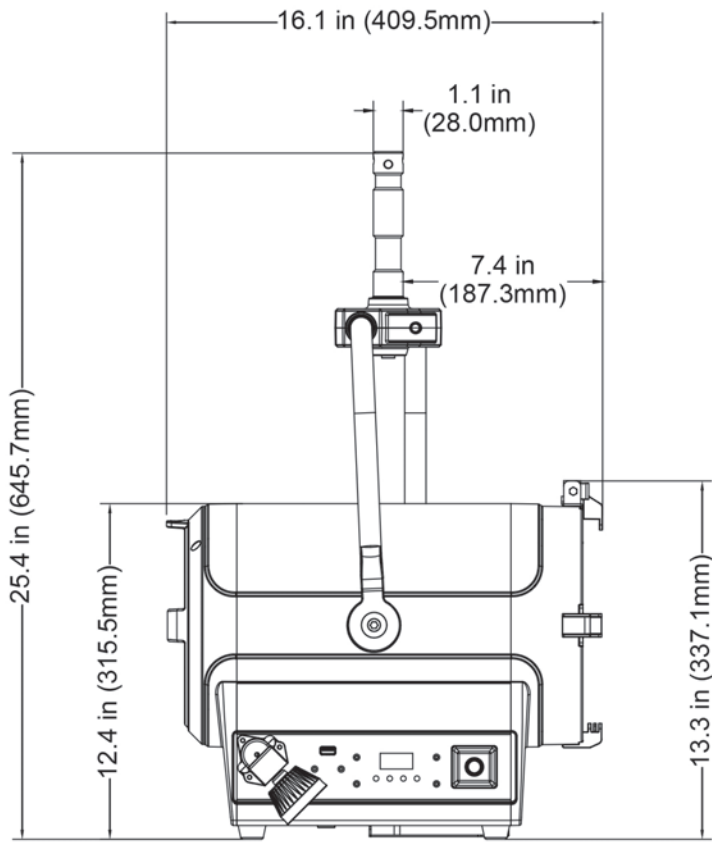
ELECTRICAL / THERMAL

AC 100-240V - 50/60Hz
360W Max Power Consumption
14°F to 113°F (-10°C to 45°C)
Power Linking: 3Pcs @ 110V / 6Pcs @ 240V

INCLUDED ITEMS

Gel frame, Rotating Barndoors & 28mm Junior Pin

DIMENSIONAL DRAWINGS



Dimensions may not be drawn to scale.

