



SIXPAR 100IP™

SKU# SIX001

The new IP65 rated SIXPAR 100IP™ features (7) 12W 6-IN-1 RGBAW+UV LEDs, 100,000 average hour LED life, 15° beam and 25° field angles, electronic strobe and dimming (0-100%), 5 variable dimming curve modes, dual yoke / floor stand, multiple unit power linking, RDM (remote device management), rugged die-cast aluminum exterior, flicker free operation for TV and FILM, 89W max power consumption, and a multi-voltage universal auto switching power supply (110-250v).

FEATURES

IP65 Rated Outdoor Par Up Light

(7) 12W 6-in-1 RGBAW+UV LEDs

100,000 Average Hour LED Life

15° Beam and 25° Field Angles

5 Variable Dimming Curve Modes

Dual Yoke / Floor Stand

Multiple Unit Power Linking

RDM - Remote Device Management

Rugged Die-Cast Aluminum Exterior

Flicker Free Operation for TV and FILM



PRODUCT SPECIFICATIONS

FEATURES

- IP65 Rated
- 15° Beam 25° Field Angles
- 5 Variable Dimming Curve Modes
- Dual Yoke / Floor Stand
- Multiple Unit Power Linking
- RDM - Remote Device Management
- Rugged Die-Cast Aluminum Exterior
- Flicker Free Operation for TV and FILM

SOURCE

- (7) 12W 6-in-1 RGBAW+UV LEDs
- 100,000 Hour Average LED Life

PHOTOMETRIC DATA

- 12,850 LUX 1,194 FC @3.3' (1m) (15° Full ON)
- 2,880 LUX 268 FC @6.6' (2m) (15° Full ON)
- 1,401 LUX 130 FC @9.8' (3m) (15° Full ON)
- 848 LUX 79 FC @13.1' (4m) (15° Full ON)
- 571 LUX 54 FC @16.5' (5m) (15° Full ON)

EFFECTS

- Electronic Strobe
- Color and Chase Macros
- Electronic Dimming: 0% - 100%
- 5 Variable Dimming Curve Modes

CONTROL / CONNECTIONS

- (4) DMX Channel Modes (6 / 7 / 8 / 12)
- (4) Button Touch Control Panel
- LCD Menu Display
- IP DMX In/Out
- IP65 Power Cable In/Out

SIZE / WEIGHT

- Length: 10.1" (257mm)
- Width: 6.2" (158mm)
- Vertical Height: 9.6" (243mm)
- Weight: 9.5 lbs. (4.3 kg)

ELECTRICAL / THERMAL

- AC 110-250V - 50/60Hz
- 89W Max Power Consumption
- Power Linking: 12pcs @110V / 25pcs @240V
- 5°F to 113°F (-15°C to 45°C)

APPROVALS / RATINGS

CE | cETLus | IP65



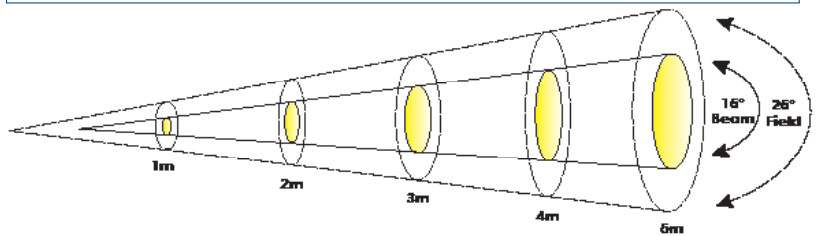
INSTALLATION

- Rigging: Integrated Dual Yoke / Floor Stand
- Working Position: Any (360°)

INCLUDED ITEMS

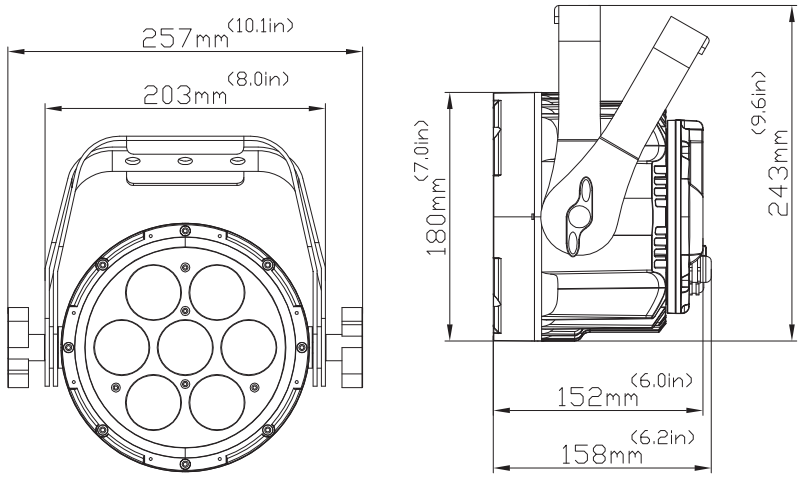
- Male Edison to IP Female Power Cable 6,6 ft. (2m)
- Male 5pin XLR to IP Female DMX Input Cable 3.3 ft (1m)
- Female 5pin XLR to IP Male DMX Output Cable 3.3 ft (1m)

PHOTOMETRIC DATA



Distance	m	ft	m	ft	m	ft	m	ft	m	ft
16° Beam Diameter	0.35	1.1	0.54	1.8	0.8	2.6	1.05	3.4	1.32	4.3
26° Field Diameter	0.45	1.5	0.88	2.9	1.33	4.4	1.77	5.8	2.21	7.3
	lux	fc	lux	fc	lux	fc	lux	fc	lux	fc
RED LEDs	2.160	201	545	51	249	23	116	11	83	8
GREEN LEDs	4.180	388	1.055	98	484	45	235	22	174	16
BLUE LEDs	4.670	434	1.205	112	545	51	284	26	190	18
WHITE LEDs	4.160	386	1.012	94	487	45	271	25	174	16
AMBER LEDs	1.590	148	376	35	172	16	93	9	61	6
UV LEDs	985	92	247	23	175	16	63	6	43	4
FULL ON	12.850	1194	2.880	268	1.401	130	848	79	571	53

DIMENSIONAL DIAGRAMS



OPTIONAL ACCESSORIES

ORDER CODE	ITEM
TRIGGER CLAMP	Heavy Duty Wrap Around Hook Style Clamp
EWDD01	EWDMX IP Wireless IP65 DMX Transceiver
SIXPAR/2MDLC	6.6 ft. (2m) IP Data Link Cable
SIXPAR/2MPLC	6.6 ft. (2m) IP Power Link Cable
SIXPAR/3MDLC	9.8 ft. (3m) IP Data Link Cable
SIXPAR/3MDLC	9.8 ft. (3m) IP Power Link Cable
SIXPAR/5MDLC	**SPECIAL ORDER ITEM** 16.4 ft. (5m) IP Data Link Cable
SIXPAR/5MPLC	**SPECIAL ORDER ITEM** 16.4 ft. (5m) IP Power Link Cable
SIXPAR/10MDLC	**SPECIAL ORDER ITEM** 32.8 ft. (10m) IP Data Link Cable
SIXPAR/10MPLC	**SPECIAL ORDER ITEM** 32.8 ft. (10m) IP Power Link Cable
SIXPAR/20MDLC	**SPECIAL ORDER ITEM** 65.6 ft. (20m) IP Data Link Cable
SIXPAR/20MPLC	**SPECIAL ORDER ITEM** 65.6 ft. (20m) IP Power Link Cable
SIXPAR/DIAC	Data IN IP Adapter Cable
SIXPAR/DOAC	Data OUT IP Adapter Cable
SIXPAR/PIAC	Power IN IP Adapter Cable
SIXPAR/POAC	Power OUT IP Adapter Cable
SIXPAR/TERRMINATOR	DMX Terminator End Cap
SIXPAR100/GFH	Gel Frame and Holder Kit



Specifications are subject to change without notice ©Elation Professional

Elation Professional USA | 6122 S. Eastern Ave. | Los Angeles, CA. 90040
323-582-3322 | 323-832-9142 fax | www.elationlighting.com | info@elationlighting.com

Elation Professional B.V. | Junostraat 2 | 6468 EW Kerkrade, Netherlands
+31 45 546 85 66 | +31 45 546 85 96 fax | www.elationlighting.eu | info@elationlighting.eu