

# SMARTYMAX



The **SMARTY MAX™** combines high output and long lamp life in a feature packed compact and lightweight Hybrid fixture. SMARTY MAX is the Extreme Output Hybrid featuring the new Philips MSD Platinum FLEX 400 lamp and Elation's 2 year / 4,000 hours Ultimate Warranty.\*\* Rated at 480W and up to 4,000 hours smart lamp life the SMARTY MAX includes CMY and variable CTO and is the world's first Hybrid incorporating a full Iris for dynamic beam effects. Four prisms on two planes, dual frosts plus dual gobo wheel and the unique dual track animation round out the comprehensive FX package in a compact and lightweight housing. Delivering 21,000 lumens from its large 160mm front aperture, the SMARTY MAX has a crisp output for extremely powerful beams, sharp gobos and bright washes, making it a flexible fixture for almost any application, while providing an excellent return on investment.

## FEATURES

Extreme Output 3-in-1 Beam, Spot, Wash Hybrid Fixture

Flex Lamp Technology from 370 to 480W plus Smart Hibernation with up to 4,000 Hour Lamp Life

Full CMY Color Mixing System, Variable CTO, Color Wheel

Creative FX Package: 8 Rotating and 14 Static Gobos, Dual Track Animation, Iris 4x Prism on Dual Planes, 2x Frost

Ultra-Fast Zoom: Beam 2° - 20° | Spot 3° - 30° | Wash 9° - 35°

2 Years / 4,000 Hours Ultimate Warranty\*\*

\*\*First 2 Years of operation or 4,000 hours of use, whichever comes first, based on regular fixture/lamp maintenance.

Specifications are subject to change without notice ©Elation Professional 07/23/21

Elation Professional USA | 6122 S. Eastern Ave. | Los Angeles, CA. 90040  
323-582-3322 | 323-832-9142 fax | www.elationlighting.com | info@elationlighting.com

Elation Professional B.V. | Junostraat 2 | 6468 EW Kerkrade, The Netherlands  
+31 45 546 85 66 | +31 45 546 85 96 fax | www.elationlighting.eu | info@elationlighting.eu



**SPECIFICATIONS**

**SOURCE**

Philips MSD Platinum 400 Flex 480W Lamp  
 Variable Lamp Power 370/470/480W  
 Automated Lamp Hibernation with Instant Recovery  
 Up to 4,000 Hour Lamp Life\*

\*Test lab conditions. May vary depending on several factors including but not limited to: Environmental Conditions, Power/Voltage, Usage Patterns (On-Off Cycling), Control, and Dimming.

**PHOTOMETRIC DATA**

21,000+ Lumen Total Fixture Output  
 1.5° Beam: 1,784,448 LUX (165,781 FC) @5m (16.4ft)  
 3° Spot: 462,508 LUX (42,968 FC) @5m (16.4ft)

**Beam**

Zoom Range 2° - 20°  
 Beam Angle 0.8° - 6.5°  
 Field Angle 1.8° - 16.2°

**Spot**

Zoom Range 3° - 30°  
 Beam Angle 1.7° - 14.8°  
 Field Angle 3° - 26.5°

**Wash**

Zoom Range 9° - 35°  
 Beam Angle 6.8° - 29°  
 Field Angle 12.8° - 39.4°

**EFFECTS**

Beam, Spot and Wash Modes  
 Motorized Zoom  
 Dual Frost Filter for Light Frost/ Full Wash  
 4 Prisms on Dual Planes  
 Iris  
 CMY Color, Gobo, Prism Macros  
 Motorized Focus with Auto-Focus Feature  
 High Speed Shutter and Strobe

**COLOR**

Full CMY Color Mixing System  
 Variable CTO  
 13 Position Color Wheel

**GOBOS**

2 Gobo Wheels  
 8 Interchangeable-Rotating / Indexing Glass Gobos  
 14 Static-Stamped Metal Gobos  
 Dual Track Animation Wheel

**CONTROL / CONNECTIONS**

2 DMX Channel Modes (27 / 44 Channels)  
 (6) Button Touch Panel  
 Full Color 180° Reversible LCD Menu Display  
 DMX, RDM, Art-Net and sACN Protocol Support  
 5pin DMX In/Out  
 RJ45 Ethernet In/Out  
 IP65 Locking Power Cable In/Out  
 With Wired Digital Communication Network

**SIZE / WEIGHT**

Length: 15.34" (389.8mm)  
 Width: 17.53" (445.3mm)  
 Height: 25.27" (642mm)  
 Weight: 60.0 lbs. (27.2kg)

**ELECTRICAL / THERMAL**

AC 100-240V 50/60Hz  
 700 W Max Power Consumption (estimated)  
 14°F to 113°F (-10°C to 45°C)  
 BTU/hr (+/- 10%) 2387

**APPROVALS / RATINGS**

CE | cETLus | IP20

**FIRMWARE UPDATES**

Current Version: V1.3.4

Specifications and documentation subject to change without notice.

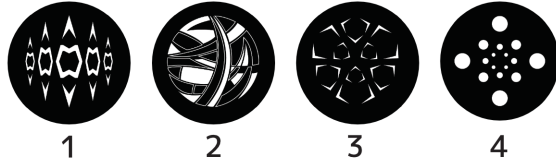
Specifications are subject to change without notice ©Elation Professional 10/07/19



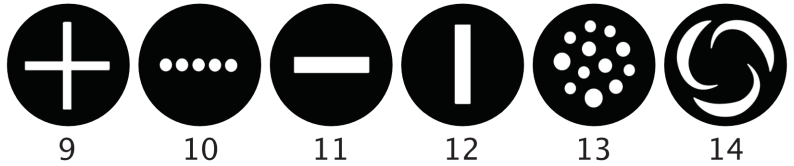
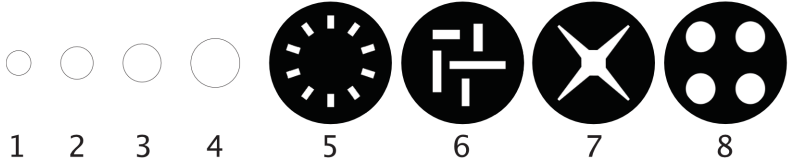
Elation Professional USA | 6122 S. Eastern Ave. | Los Angeles, CA. 90040  
 323-582-3322 | 323-832-9142 fax | www.elationlighting.com | info@elationlighting.com

**GOBOS**

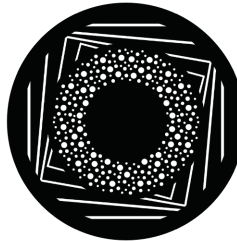
**INTERCHANGEABLE-ROTATING GLASS GOBO WHEEL 1**



**STATIC-FIXED METAL GOBO WHEEL 2**



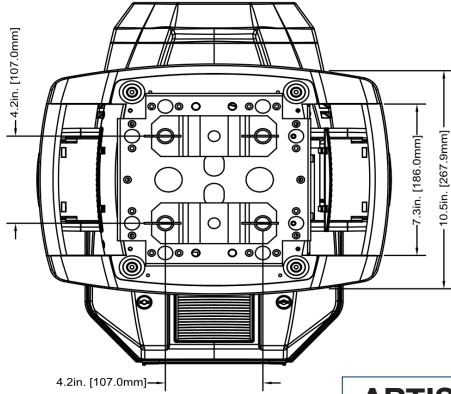
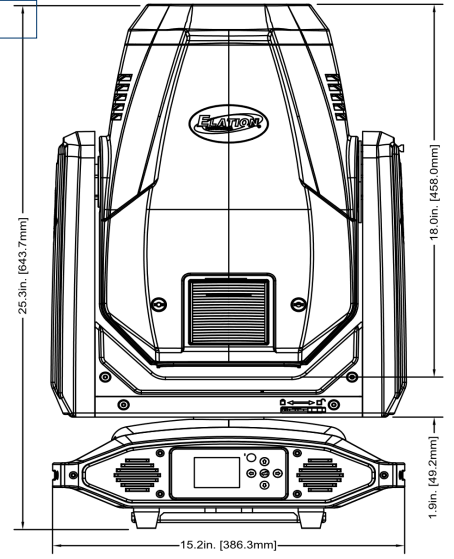
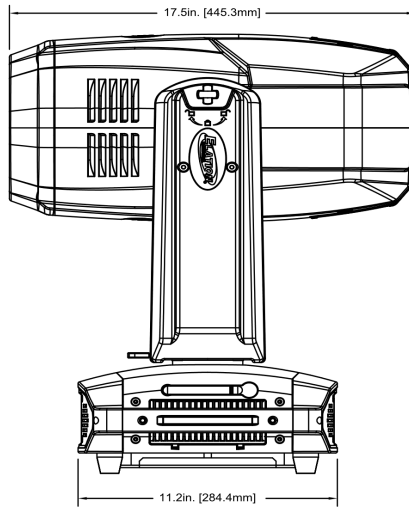
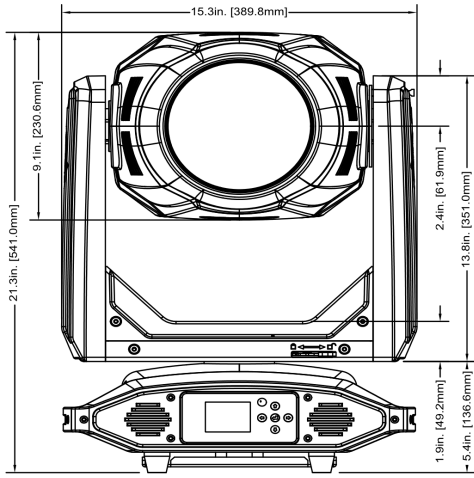
**INTERCHANGEABLE-ROTATING GLASS GOBO WHEEL 1**



**ORDERING INFORMATION**

ESM166	SMARTY MAX
TRIGGER CLAMP	Heavy Duty Wrap Around Hook Style Clamp
DRCPRO004	Road Case For SMARTY MAX
AC5PDMX5PRO	5 ft. (1.5m) 5pin PRO DMX Cable
NEU088	3 ft. (1m) Power Link Cable
CAT6PRO5	5 ft. (1.5m) CAT6 Ethernet Cable
ZB-MSD PLATINUM 400L FLEX	Philips MSD Platinum 400 Flex Lamp

# ARTISTE SMARTY MAX



# ARTISTE SMARTY MAX FIL DIMENSIONS

