



DESCRIPTION

Flush mount loudspeakers with rectangular metal grille for low impedance lines and 100 V lines with a quick installation system of 6 hooks.

The BS-40 model is made up of a bass speaker with 5 ¼" treated cone, a dome tweeter and crossover.

The BS-40T model also includes a multi-impedance 100 V line transformer.

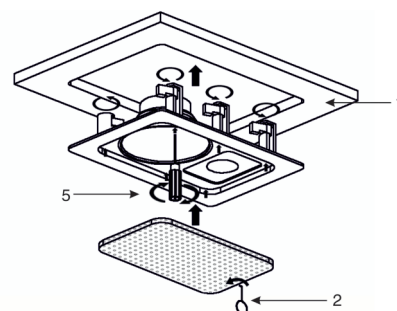
The BS-41 model is made up of a bass speaker with 5¼" treated cone, an adjustable Mylar dome tweeter, crossover and humidity protection box.

The BS-41T model also includes a multi-impedance 100 V line transformer.

The BS-80 model is made up of a bass speaker with 8" treated cone, a Mylar dome tweeter and crossover. The BS-80T model also includes a multi-impedance 100 V line transformer. Each of the previous models makes up an excellent quality set which is easy to install and recommended for all types of hi-fi musical or high quality P.A. installation.

INSTALATION

- 1.- Make a rectangular hole of the necessary dimensions in your drop ceiling, panel or wall.
- 2.- Remove the metal protective grille from the speaker. To do this you have to insert the wire dismantler (included) in one of the holes on the edge of the grille and pull gently.
- 3.- Before inserting the speaker in the hole in the ceiling, connect the speaker line cables.
- 4.- Place the hooks in the gaps at the top of the guidelines to make sure that the set fits into the hole made in the drop ceiling or panel. Insert the speaker in the hole.
- 5.- Maintain the speaker in its position while you tighten the 6 screws on the hooks. Tighten all six equally. Insert the grille by pushing gently along the edges to avoid damaging it.



ESPECIFICACIONES TÉCNICAS

	BS-40	BS-40T	BS-41	BS-41T	BS-80	BS-80T
CHARACTERISTICS	2-way flush mount hi-fi loudspeaker. Low impedance and rectangular grille.	2-way flush mount hi-fi loudspeaker, with 100V line transformer and rectangular grille.	2-way flush mount hi-fi loudspeaker, with 100V line transformer and rectangular grille.	2-way flush mount hi-fi loudspeaker with 100V line transformer, damp-resistant case and rectangular grille.	2-way flush mount hi-fi loudspeaker. Low impedance and rectangular grille.	2-way flush mount hi-fi loudspeaker, with 100V line transformer and rectangular grille.
POWER	40 W maximum, 20 W RMS				80 W maximum, 40 W RMS	
SPEAKERS	1 x 5¼ woofer 1 x ½" tweeter		1 x 5¼ woofer 1 silk dome tweeter, adjustable		1 x 8" woofer 1 Mylar dome tweeter, adjustable	
RESPONSE	60 - 20,000 Hz				40 - 20,000 Hz	
IMPEDANCE	8 Ω	High Z 100 V line: 500 Ω (20 W) 670 Ω (15 W) 1,000 Ω (10 W) 2,000 Ω (5 W)	8 Ω	High Z 100 V line: 500 Ω (20 W) 670 Ω (15 W) 1,000 Ω (10 W) 2,000 Ω (5 W)	8 Ω	High Z 100 V line: 250 Ω (40 W) 330 Ω (30 W) 500 Ω (20 W) 1,000 Ω (10 W)
SENSITIVITY	90 dB at 1 W/1 m					
SOUND PRESSURE	99 dB at maximum power at 1 m				100 dB at maximum power at 1m	
CROSSOVER	Condenser		2 ways		Condenser	
DISPERSION	132 °				135 °	
MATERIAL	ABS and steel grille					
COLOUR	Matt white					
DIMENSIONS	192 x 279 x 69 mm depth		214 x 299 x 97 mm depth		256 x 358 x 100 mm depth	
CEILING/WALL HOLE	162 x 242 mm		178 x 264 mm		221 x 322 mm	
	Installation system using hooks					

WARRANTY

This product has been tested and has passed the corresponding quality control prior to being put on the market.

FONESTAR guarantees the suitability of the product for its specified use during a period of 2 years from the delivery date and commits itself to repair or substitute the goods as expressed in the Spanish law 'La Ley General para la Defensa de los Consumidores y Usuarios, Real Decreto Legislativo 1/2007 16 Noviembre.

The lack of conformity in the first six months after purchase, due to a manufacturing defect, will be rectified with no more than showing the proof of purchase. After six months **FONESTAR** reserves the right to demand proof of the product being sold with that problem.

This warranty does not include damage produced by: inappropriate use or negligence, accidents, worn out parts due to use, breakages, burns, spilt liquids or other substances, excessive humidity, battery deterioration and internal manipulation of the device, the software or its components by unauthorized persons, and in general any use that is unrelated to the nature and purpose of the product.

If any service is needed during the warranty period because of lack of conformity, please contact the business or distributor where the product was purchased in no more than 2 months after being conscious of the problem. It is only necessary to contact **FONESTAR** if it is impossible or imposes an undue burden for them to solve it.

To benefit from this warranty it is necessary to show the proof of purchase with the date clearly visible, with no corrections or crossing out.

This document adds information, and never decreases the consumers' rights, which in all cases are protected by the Spanish law 'La Ley General para la Defensa de los Consumidores y Usuarios, Real Decreto Legislativo 1/2007 16 Noviembre.



FONESTAR is a member of ECOEMBALAJES ESPAÑA, S.A. "ECOEMBES", with number 03497 and all our products carry the symbol, backed by our membership and subscription to the above mentioned organization with the recycling and subsequent management of our packaging.

FONESTAR is registered in the RAEE (Registro de Aparatos Eléctricos y Electrónicos) in a special section REI (Registro de establecimientos Industriales), with the entry number 001851.

FONESTAR S.A. - NIF A28780443 - Polígono Trascueto - 39600 - Revilla de Camargo, Cantabria (Spain)

www.fonestar.com.